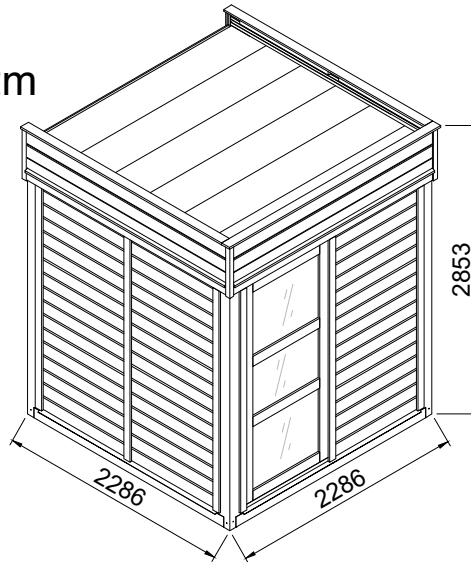
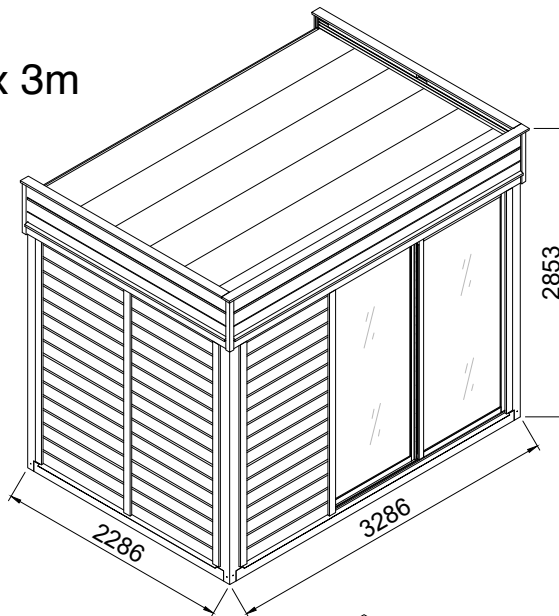


Montageanleitung Tünni Saunahaus

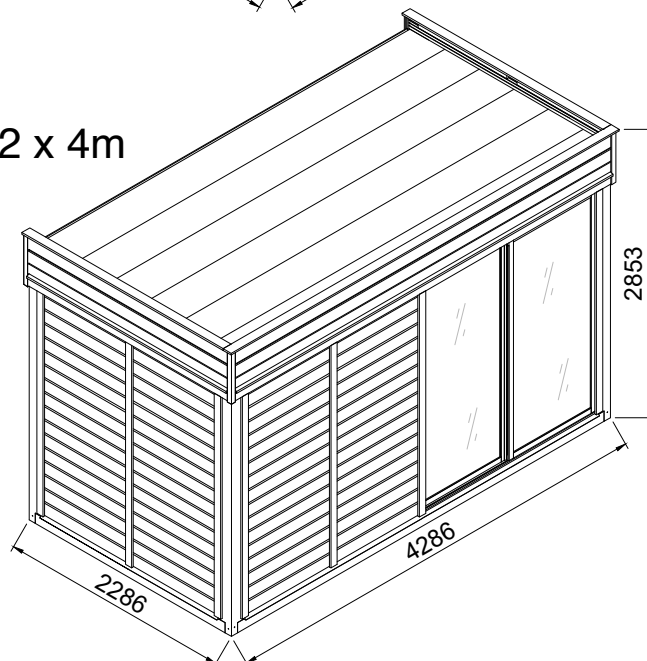
Saunahaus 2 x 2m



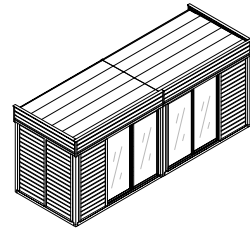
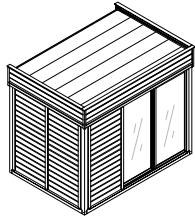
Saunahaus 2 x 3m



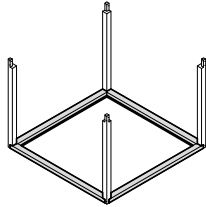
Saunahaus 2 x 4m



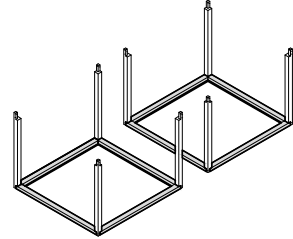
Montageschritte



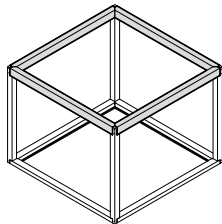
1. Step:
Floor beams
with columns



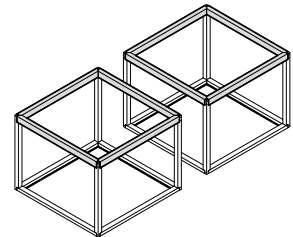
1. Step:
Floor beams
with columns



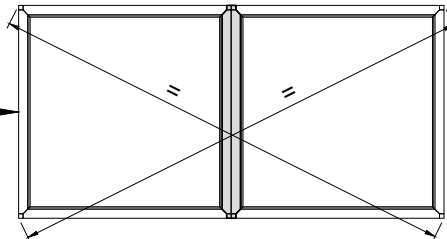
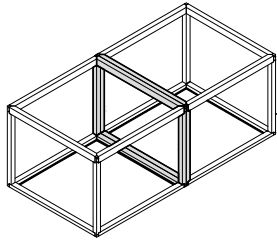
2. Step:
Roof beams



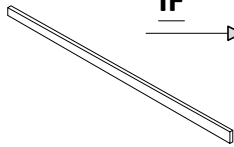
2. Step:
Roof beams



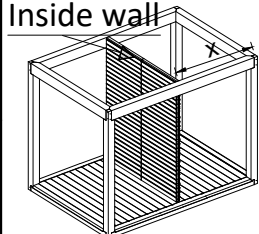
3. Step:
Join beams



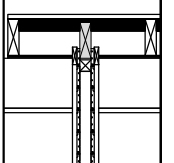
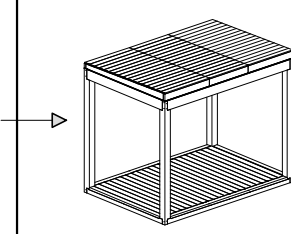
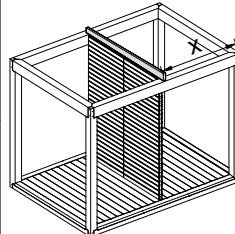
4. Step:
Roof



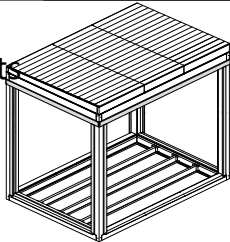
IF



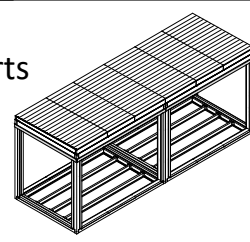
Then



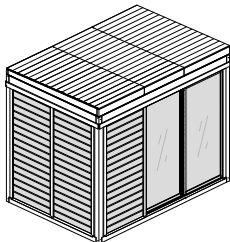
5. Step:
Walls supports



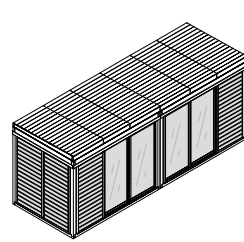
5. Step:
Walls supports



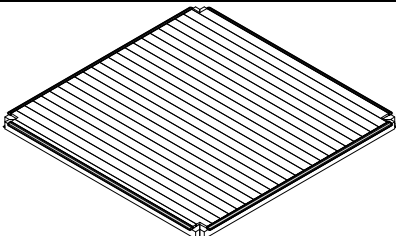
6. Step:
Walls



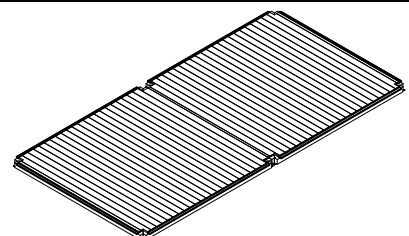
6. Step:
Walls



7. Step:
Floor



7. Step:
Floor



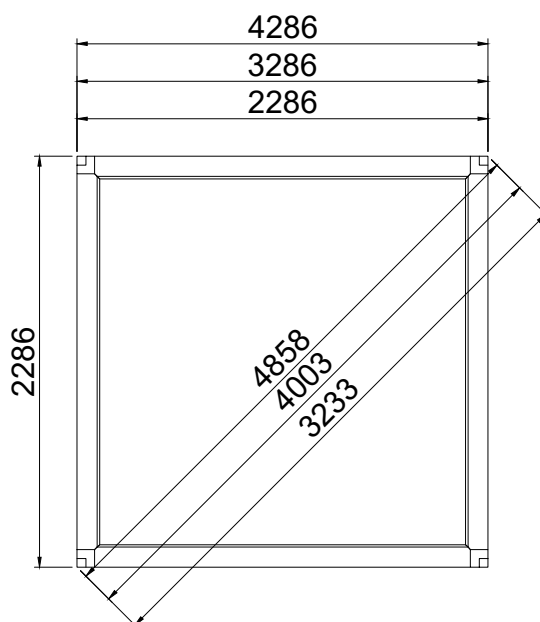
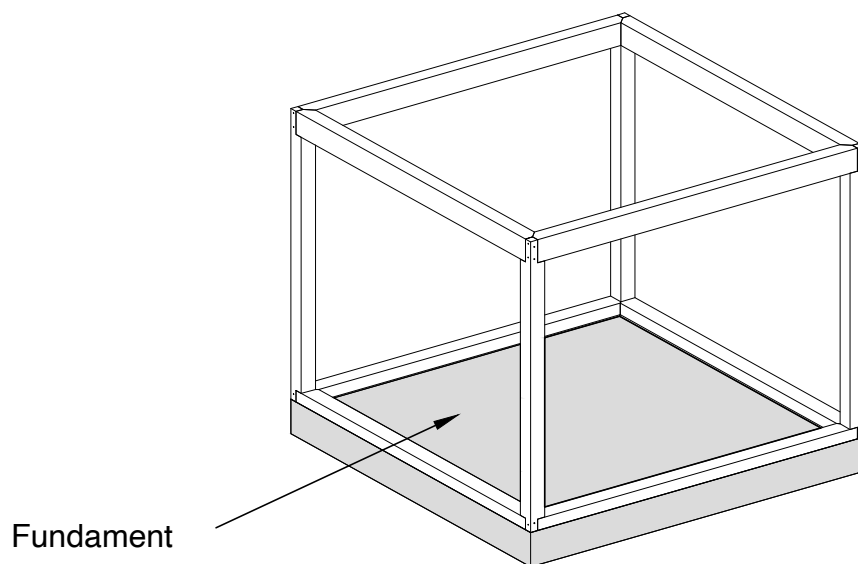
Fundament

Ein solides Fundament für Ihr Gebäude ist besonders wichtig. Wir empfehlen Ihnen ein solides Fundament zu erstellen. Die Gebäude Grundrisse finden Sie jeweils im Online- Shop bei dem gewünschten Produkt. Wir empfehlen zusätzlich zu dem Grundriss einen Rand von mind. 30cm zu planen, so kann einer Feuchtigkeitsbrücke (z.B. Gras zu Holz) vorgebeugt werden.

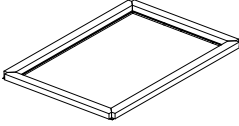
Zuallererst muss das Fundament entsprechend der Umgebung und den Bodenverhältnissen vorbereitet werden. Wenden Sie sich an eine qualifizierte Fachperson (Landschaftsgärtner o.Ä), um ein geeignetes Fundament für Ihren Standort zu erstellen. Stellen Sie sicher, dass Sie vor dem Auspacken und dem Zusammenbau der Grillkota die Vorbereitung des Fundplatzes und des Fundaments abgeschlossen haben.

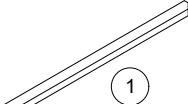
Wichtig: Fundament muss plan eben sein. Höhenunterschiede von 0.5cm bis 1cm können bei der Montage ausgeglichen werden.

Wichtig: Beim Fundament darf sich kein Wasser ansammeln. Das Fundament soll so gebaut werden, dass Wasser abfließen oder absickern kann. Wenn das Regenwasser sich beim Fundament ansammelt, kann sich bei Holz Bläue bilden.

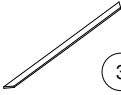


1. Cube-Garden Cube 2x2 Frame

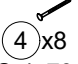




①
Mk-100x160x2146-F(2x2-4Pcs.)

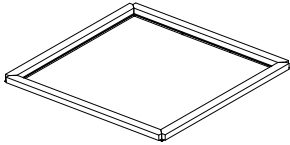


③
Ter-28x120x2166-F(2x2-4Pcs.)

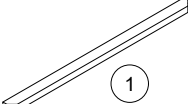


④ x8
T-BC-4x70

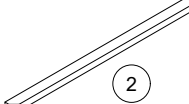
1. Cube-Garden Cube 2x3 Frame



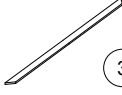
OR



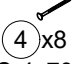
①
Mk-100x160x2146-F(2x3-2Pcs.)



②
Mk-100x160x3146-F(2x3-2Pcs.)

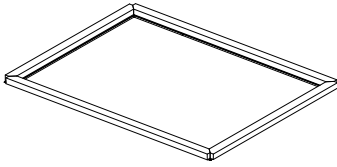


③
Ter-28x120x2166-F(2x3-2Pcs.)
Ter-28x120x3166-F(2x3-2Pcs.)

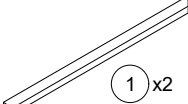


④ x8
T-BC-4x70

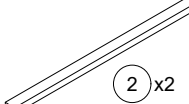
1. Cube-Garden Cube 2x4 Frame



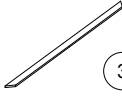
OR



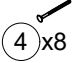
① x2
Mk-100x160x2146-F(2x4-2Pcs.)



② x2
Mk-100x160x4146-F(2x4-2Pcs.)

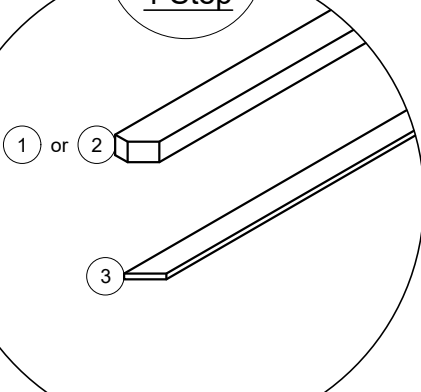


③ x2
Ter-28x120x2166-F(2x4-2Pcs.)
Ter-28x120x4166-F(2x4-2Pcs.)

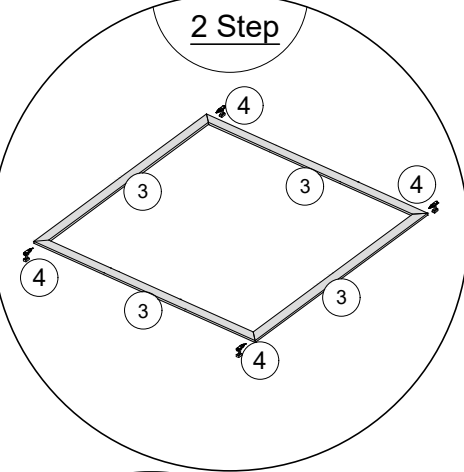


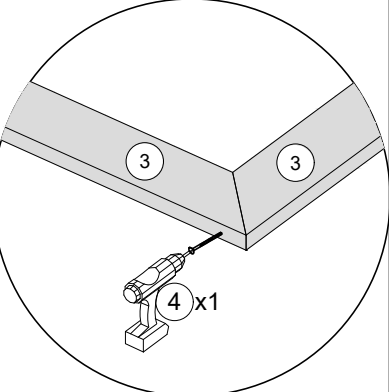
④ x8
T-BC-4x70

1 Step

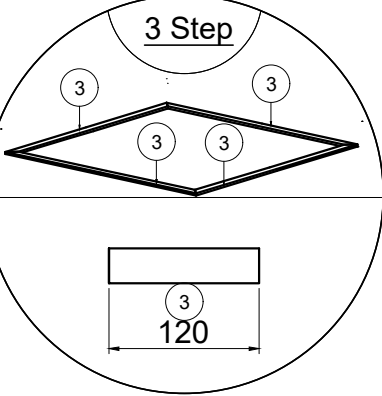


2 Step



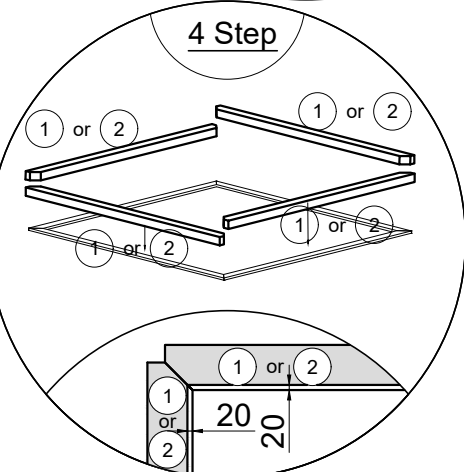


3 Step

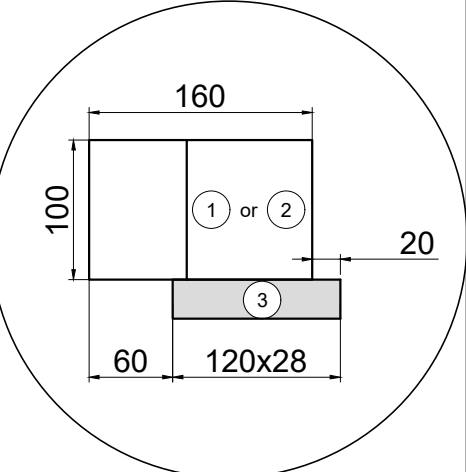


120

4 Step



20



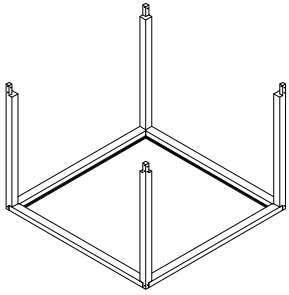
160

100

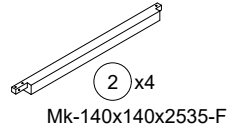
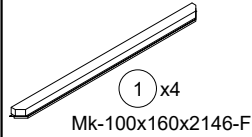
60

120x28

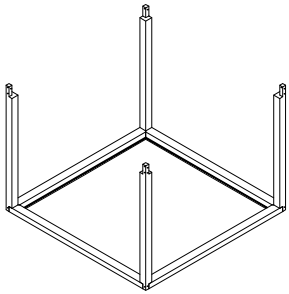
20



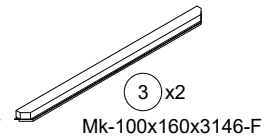
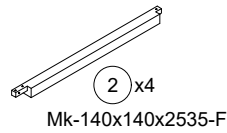
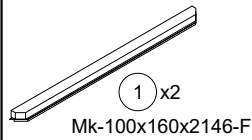
1.1 Cube-Garden Cube 2x2 Frame



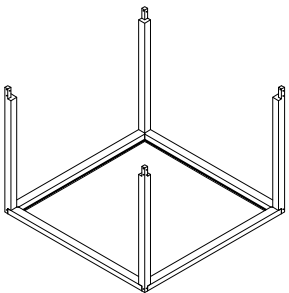
OR



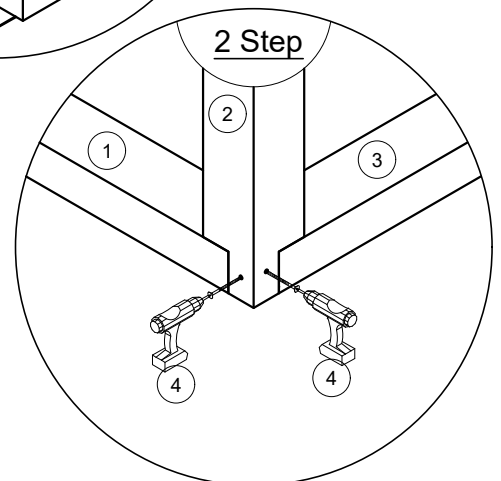
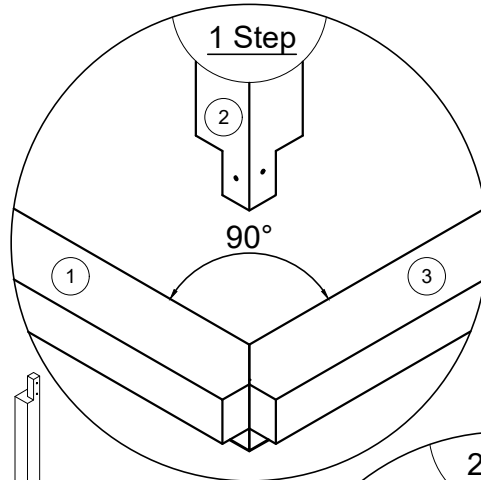
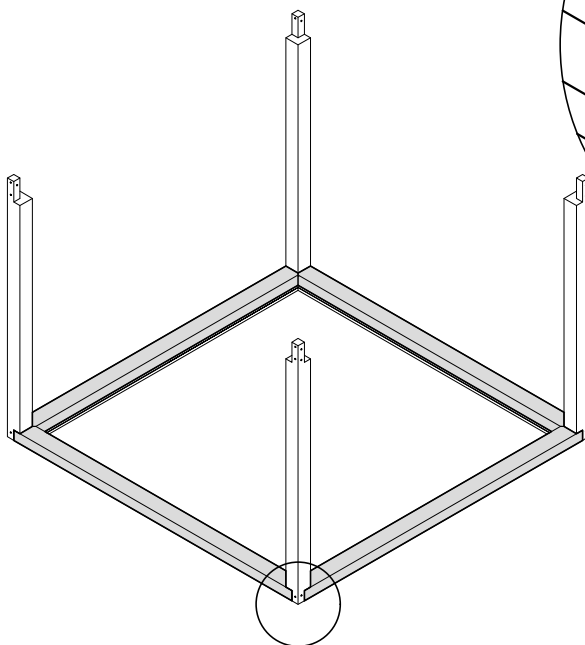
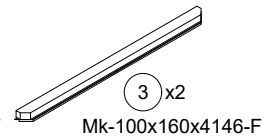
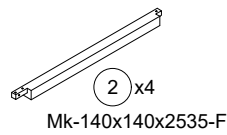
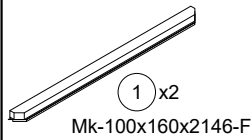
1. Cube-Garden Cube 2x3 Frame

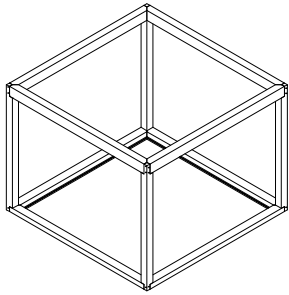


OR

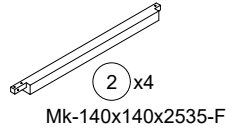
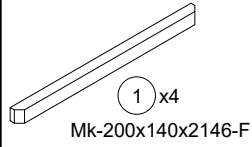


1. Cube-Garden Cube 2x4 Frame

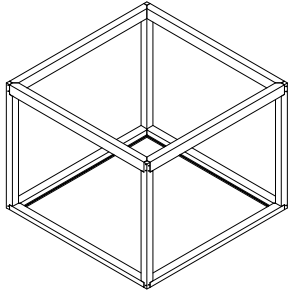




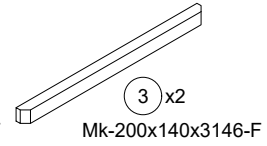
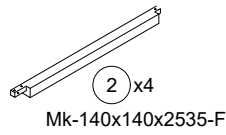
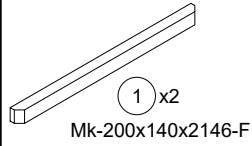
2. Cube-Garden Cube 2x2 TOP FRAME



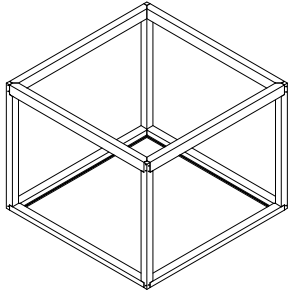
OR



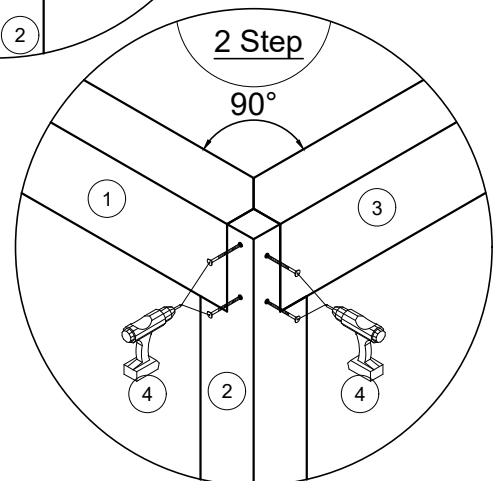
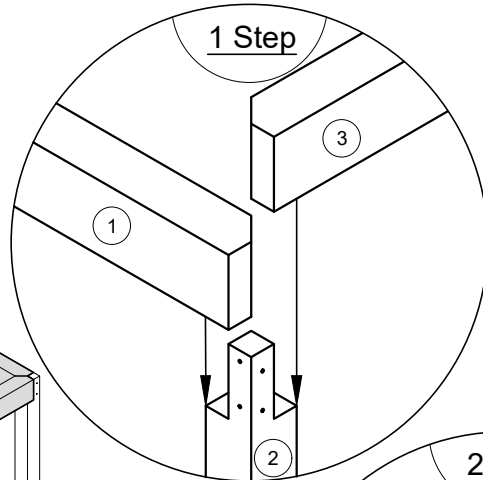
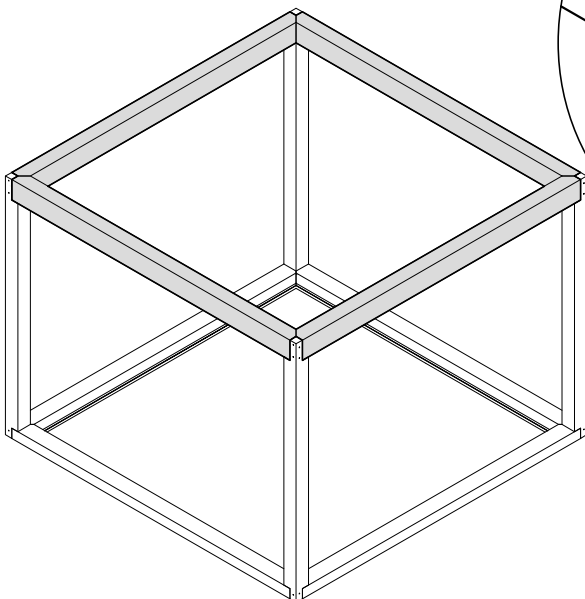
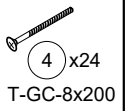
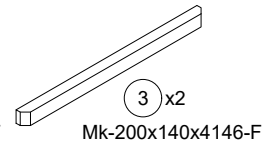
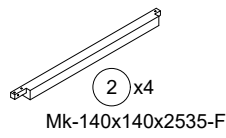
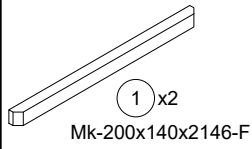
2. Cube-Garden Cube 2x3 TOP FRAME

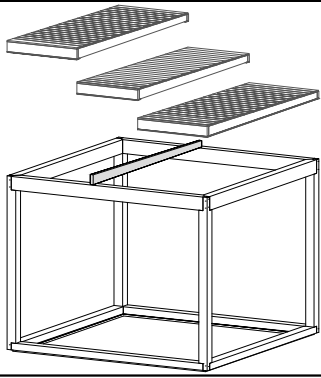


OR

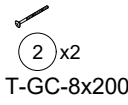
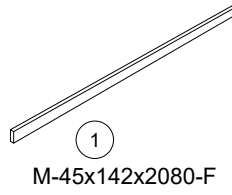


2. Cube-Garden Cube 2x4 TOP FRAME

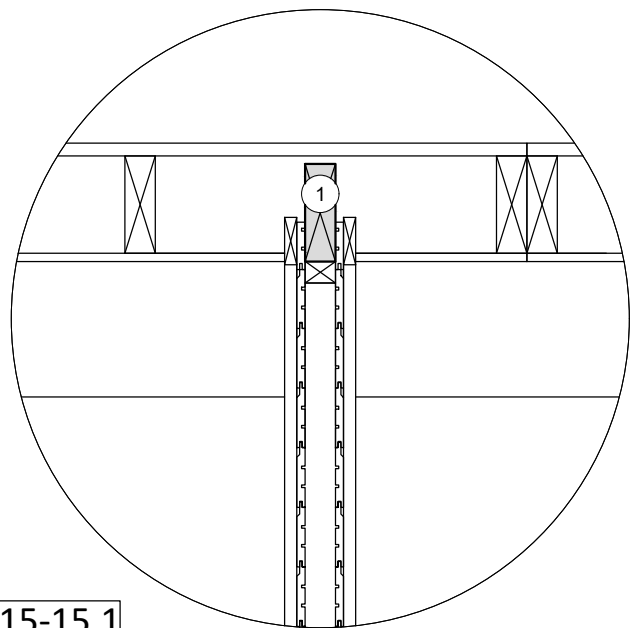
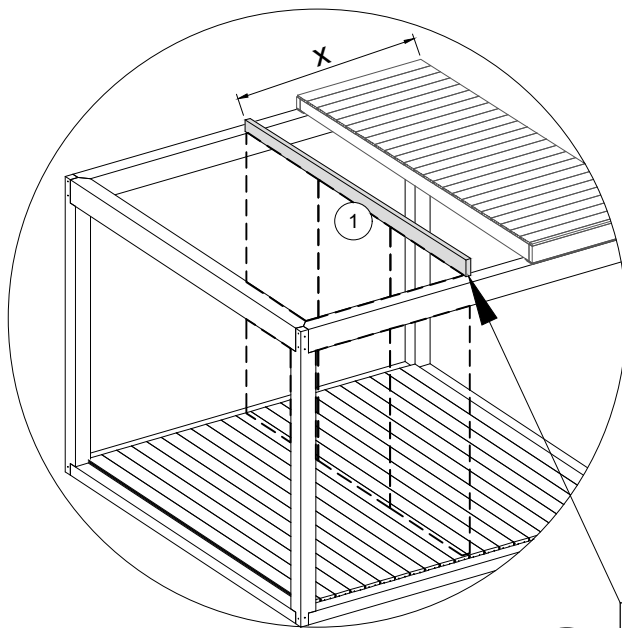
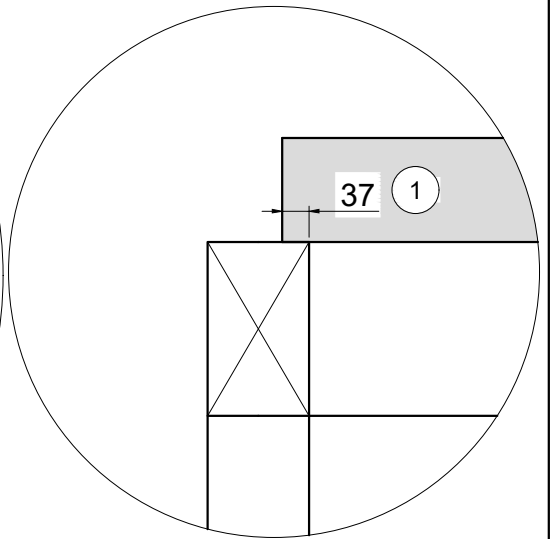
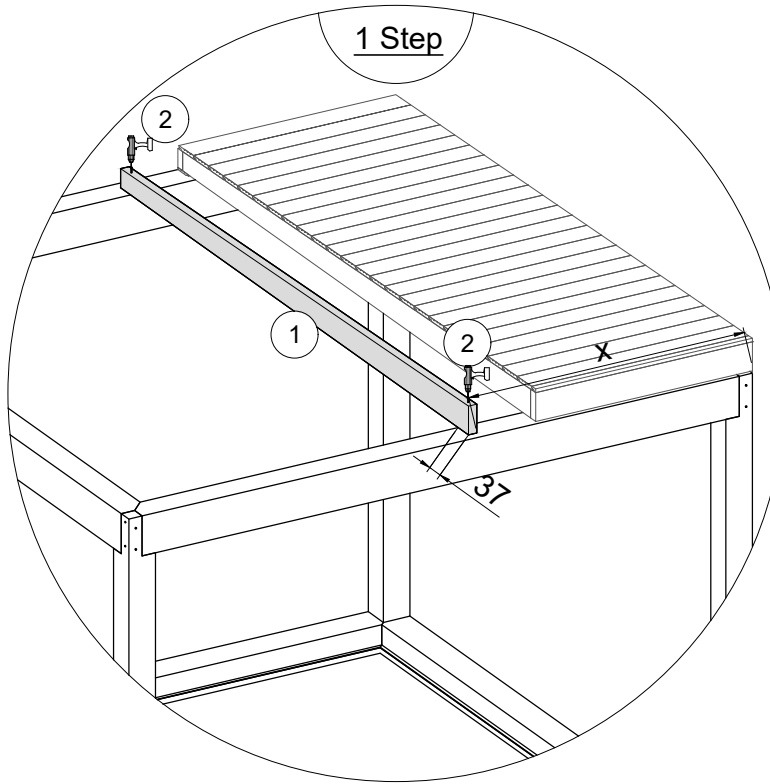




3. Cube-Garden Cube 2x3/2x4 ROOF

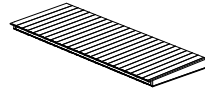
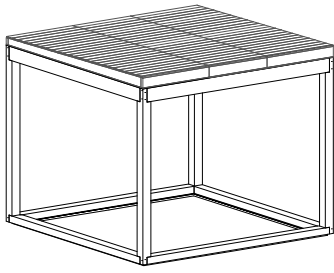


IMPORTANT !!!
This detail is for the
internal partition when the
roofs are not insulated.



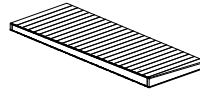
15-15.1

3.1 Cube-Garden Cube ROOF PLAN



①

C-2x2-stog-1223x2285-(K)
or
C-I-2x2-stog-1223x2285-(K)
or
OTHER



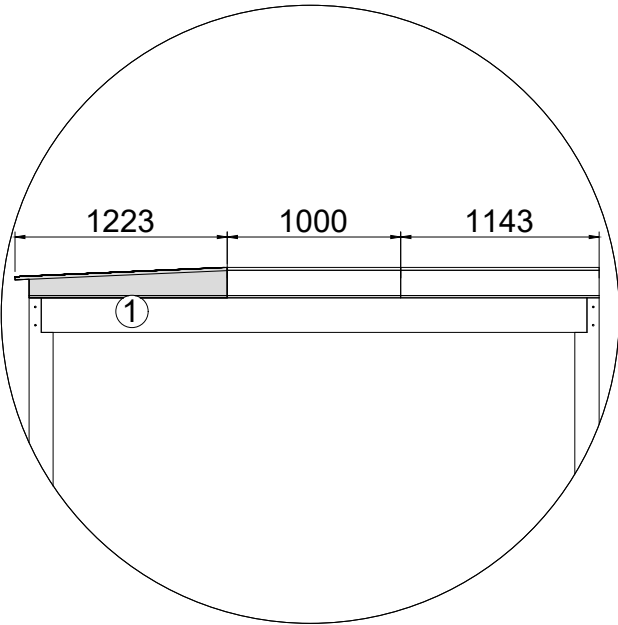
②

C-2x2-stog-1223x2285-(D)
or
C-I-2x2-stog-1223x2285-(D)
or
OTHER

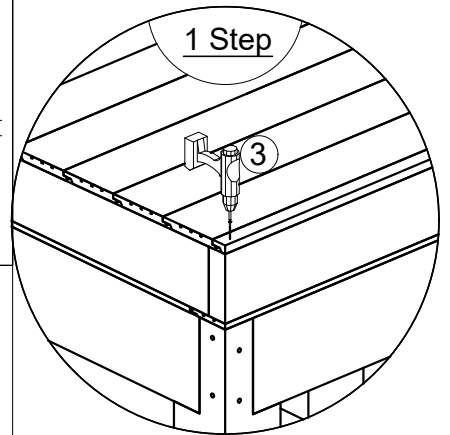
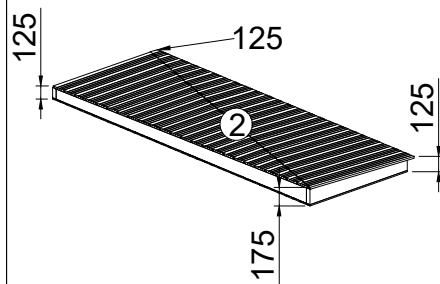
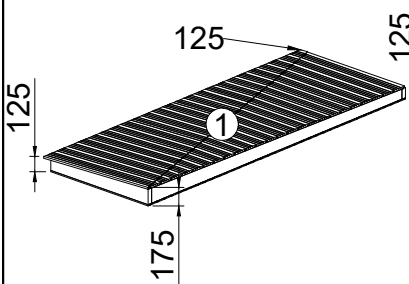
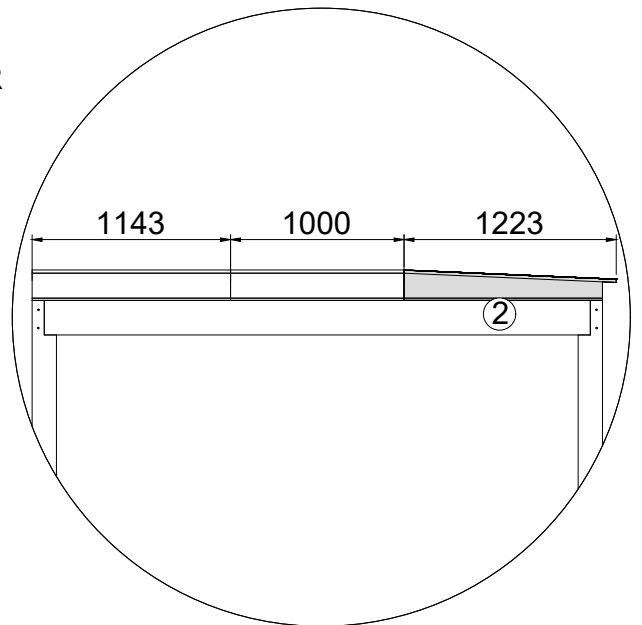


③

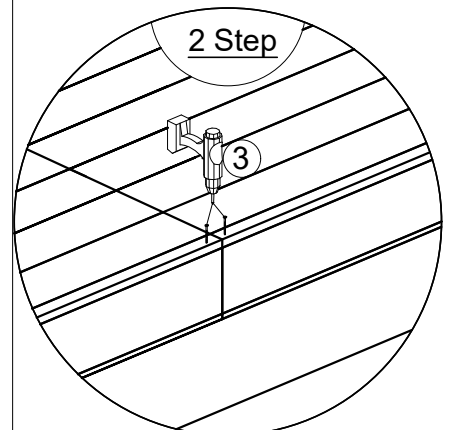
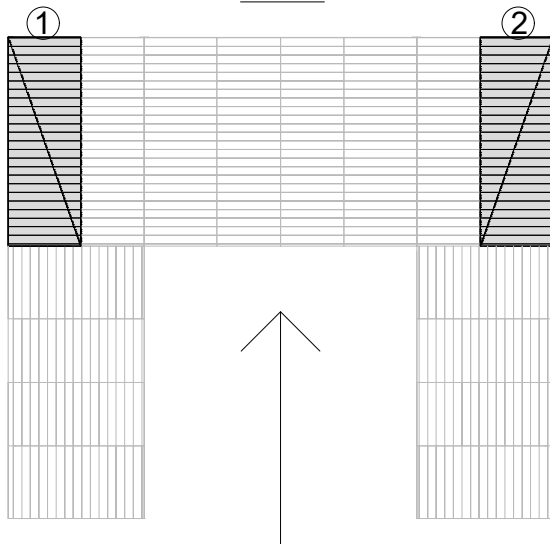
T-GC-8x200

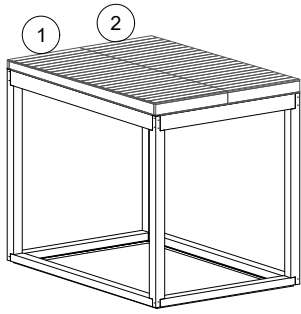


OR

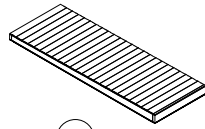


Plan



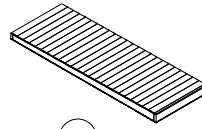


3.2 Cube-Garden Cube 2x2 ROOF



(1) x1

C-2x2-stog-1143x2285-(k)
or
C-l-2x2-stog-1143x2285-(k)



(2) x1

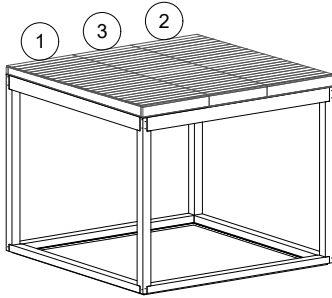
C-2x2-stog-1143x2285-(d)
or
C-l-2x2-stog-1143x2285-(d)



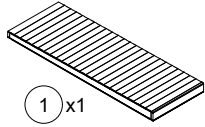
(4) x12

T-GC-8x200

OR

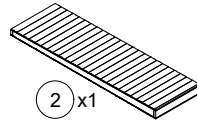


3.2 Cube-Garden Cube 2x3 ROOF



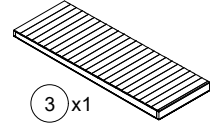
(1) x1

C-2x3-stog-1143x2285-(k)
or
C-l-2x3-stog-1143x2285-(k)



(2) x1

C-2x3-stog-1143x2285-(d)
or
C-l-2x3-stog-1143x2285-(d)



(3) x1

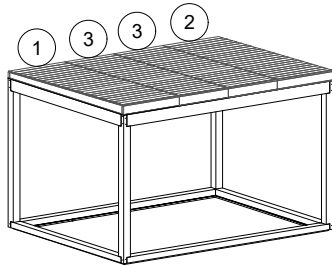
C-2x3-stog-1000x2285
or
Cl-2x3-stog-1000x2285



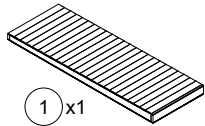
(4) x15

T-GC-8x200

OR

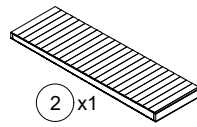


3.2 Cube-Garden Cube 2x4 ROOF



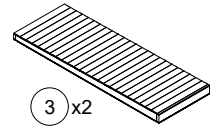
(1) x1

C-2x4-stog-1143x2285-(k)
or
C-l-2x4-stog-1143x2285-(k)



(2) x1

C-2x4-stog-1143x2285-(d)
or
C-l-2x4-stog-1143x2285-(d)



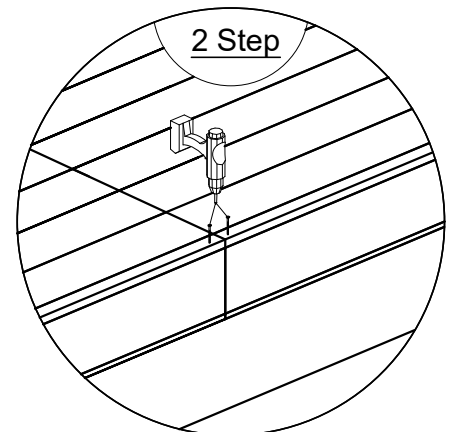
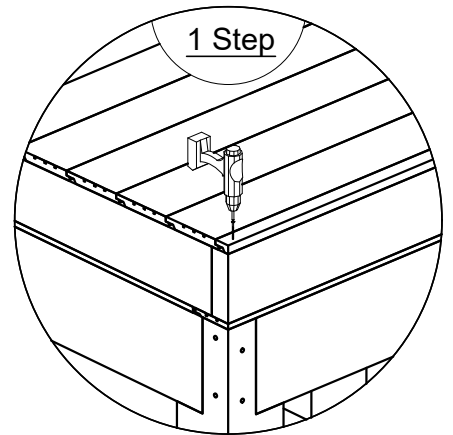
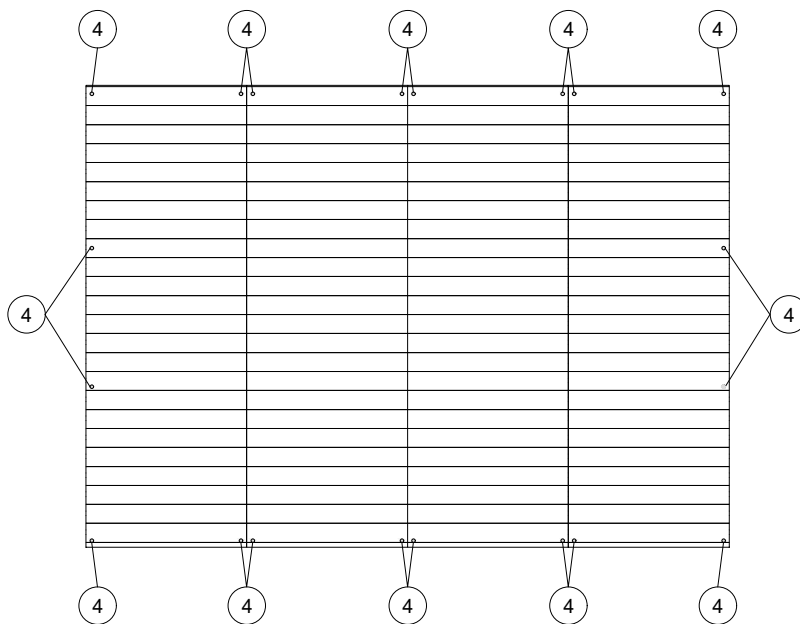
(3) x2

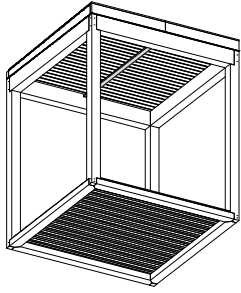
C-2x4-stog-1000x2285
or
C-l-2x4-stog-1000x2285



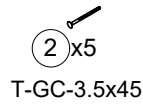
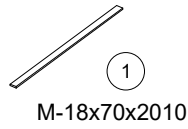
(4) x20

T-GC-8x200

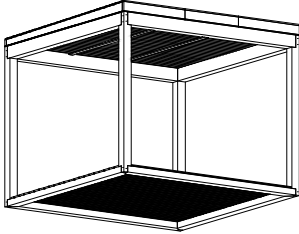




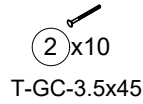
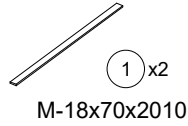
3.3 Cube-Garden Cube 2x2 ROOF INSIDE SUPPORTS



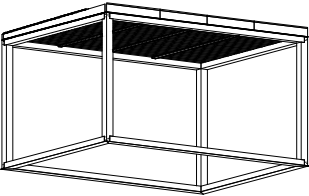
OR



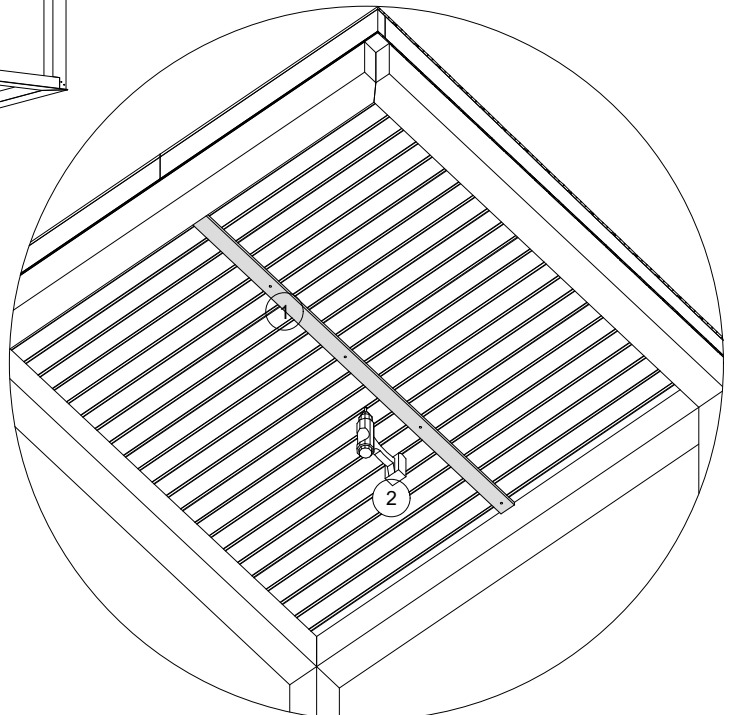
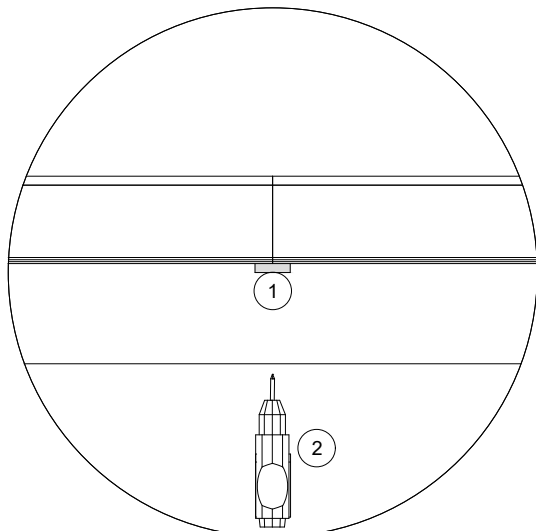
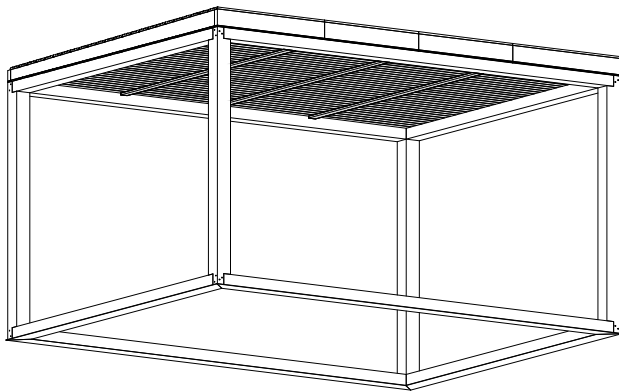
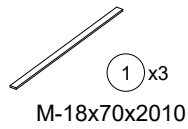
3.3 Cube-Garden Cube 2x3 ROOF INSIDE SUPPORTS

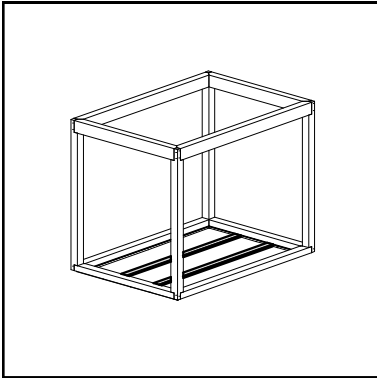


OR

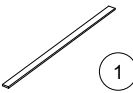


3.3 Cube-Garden Cube 2x4 ROOF INSIDE SUPPORTS



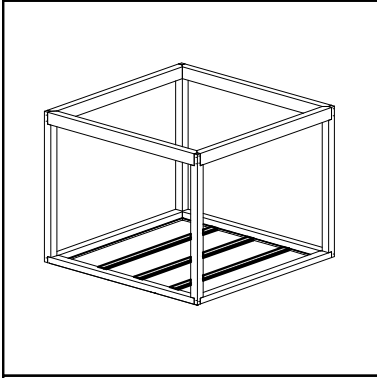


4. Cube-Garden Cube 2x2
FLOOR

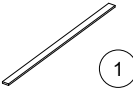


Ter-28x120x1925(2Pcs.)

OR

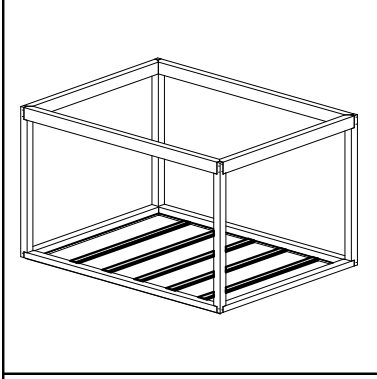


4. Cube-Garden Cube 2x3
FLOOR

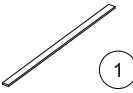


Ter-28x120x1925(3Pcs.)

OR

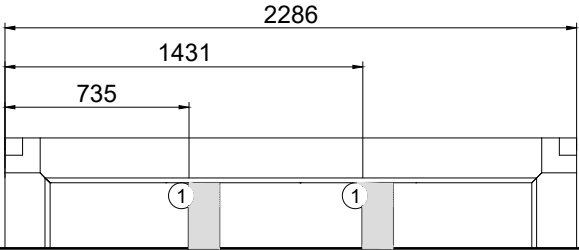


4. Cube-Garden Cube 2x4
FLOOR

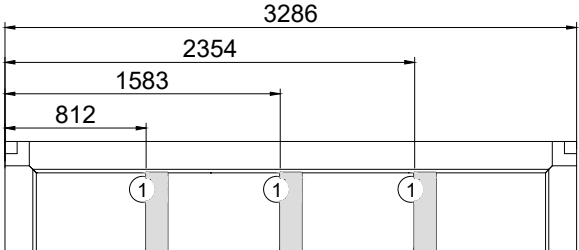


Ter-28x120x1925(5Pcs.)

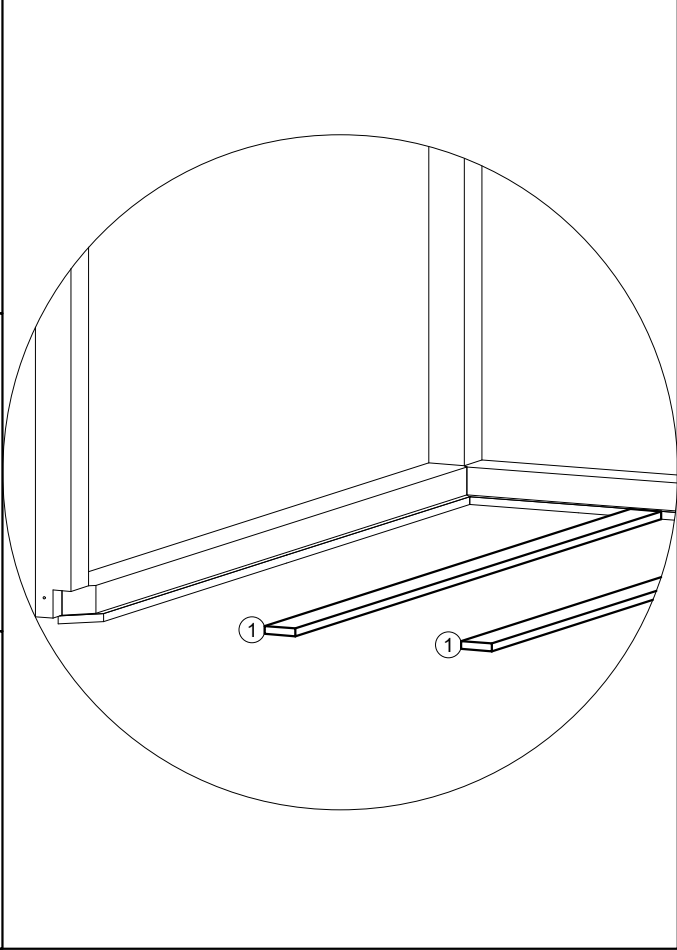
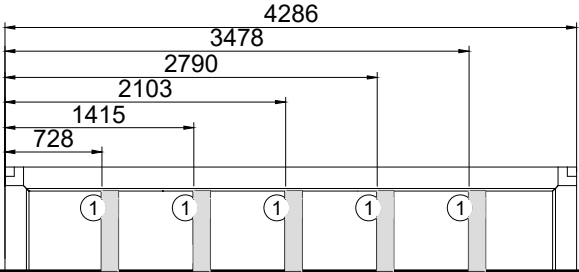
Cube 2x2



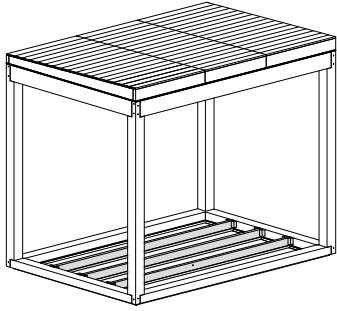
Cube 2x3



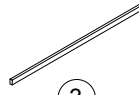
Cube 2x4



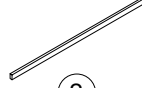
4.1 Cube-Garden Cube 2x2/2x3/2x4 FLOOR



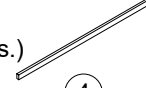
①
M-45x45x80
(2x2,2x3,2x4-12Pcs.)



③
M-45x95x2966(2x3-3Pcs.)



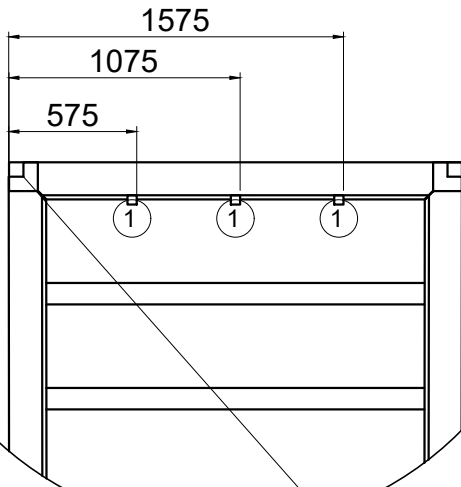
②
M-45x95x1966(2x2-3Pcs.)



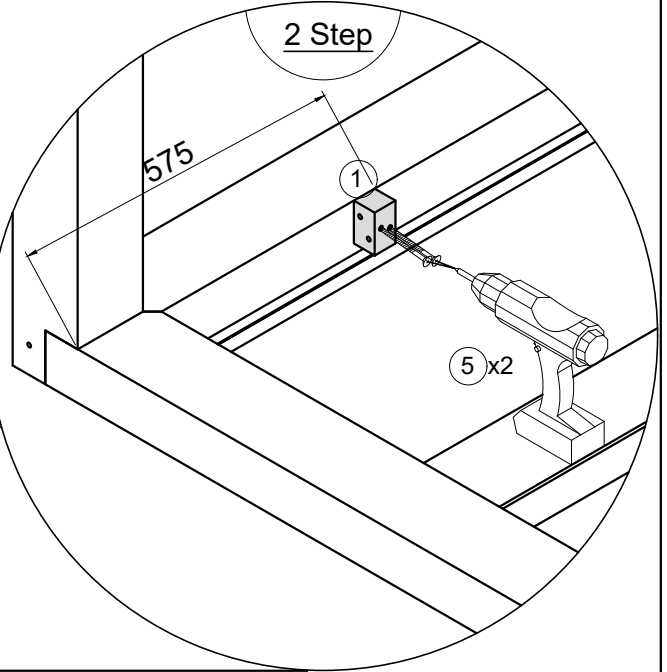
④
M-45x95x3966(2x4-3Pcs.)

⑤ x48
T-BC-4x70

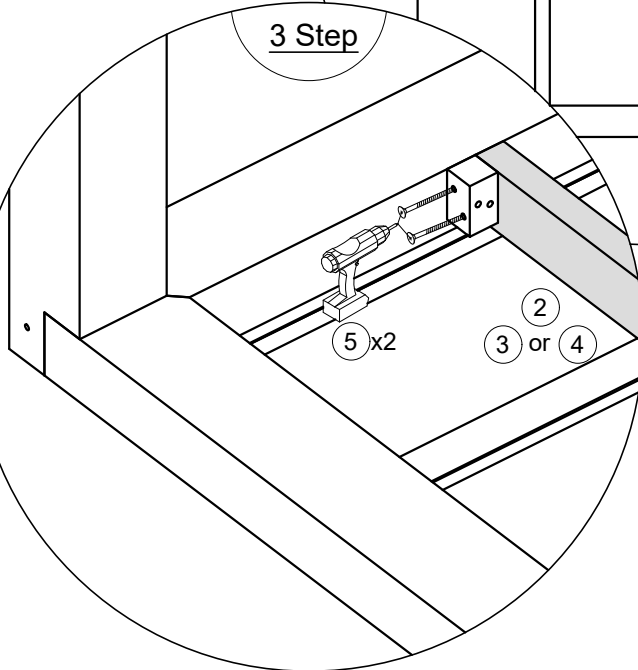
1 Step



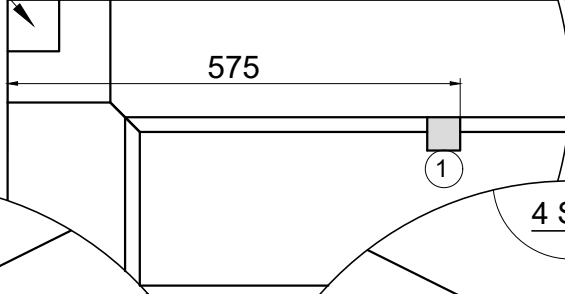
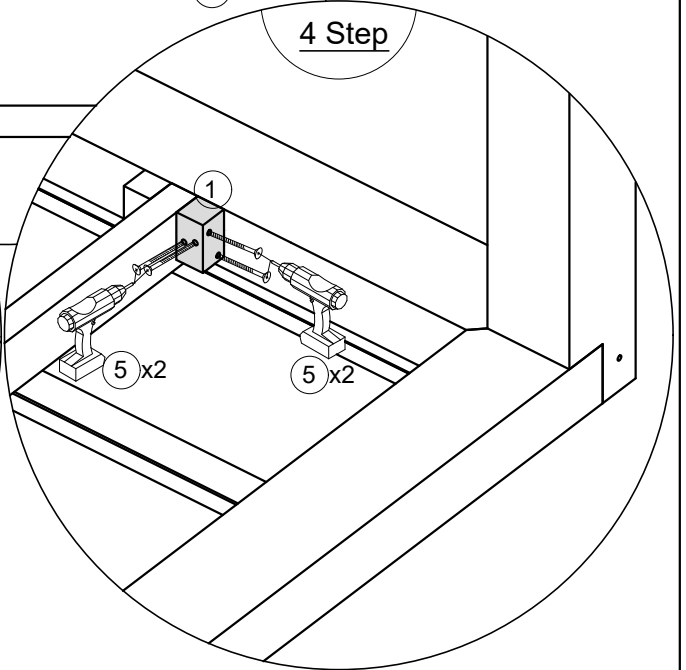
2 Step

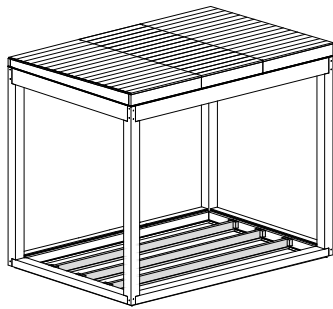


3 Step



4 Step





5. Cube-Garden Cube 2x2/2x3/2x4

FLOOR

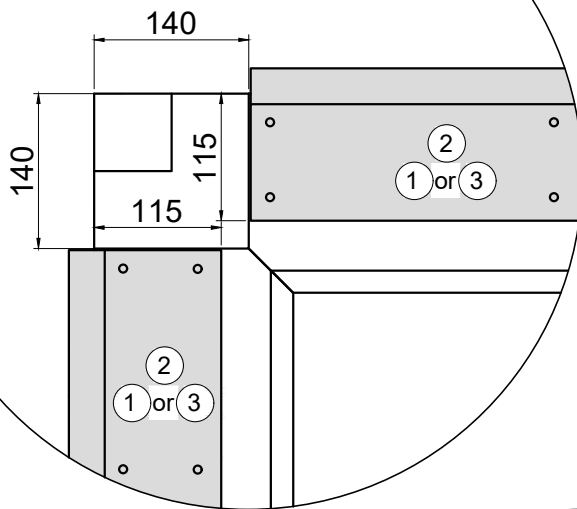
①
Spunt-28x138x2003-F(2x2-4Pcs.)

③ x2
Spunt-28x138x2003-F(2x4-2Pcs.)
and
Spunt-28x138x4003-F(2x4-2Pcs.)

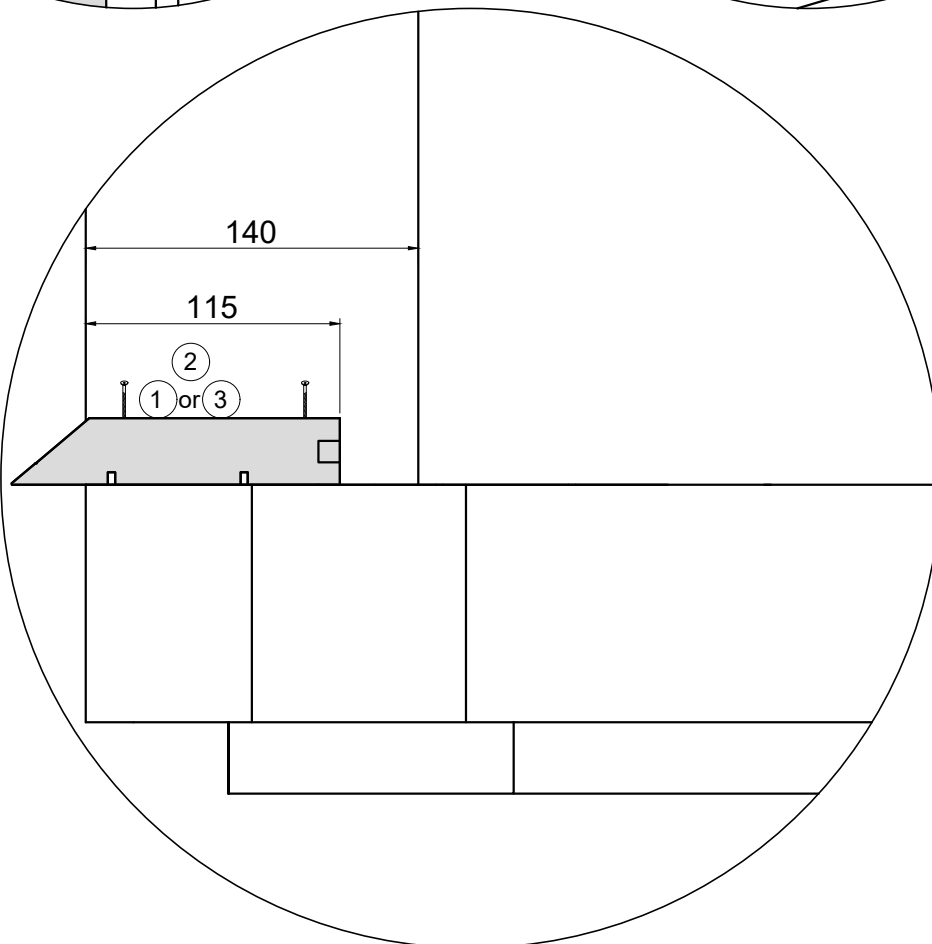
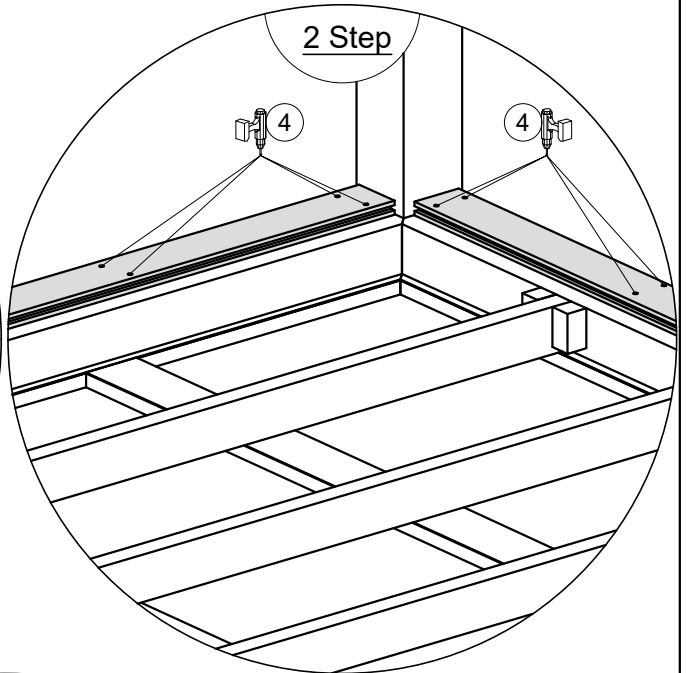
②
Spunt-28x138x2003-F(2x3-2Pcs.)
and
Spunt-28x138x3003-F(2x3-2Pcs.)

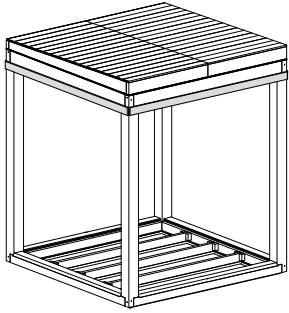
④
T-GC-3.5x45(2x2-40Pcs.)
or
T-GC-3.5x45(2x3-48Pcs.)
or
T-GC-3.5x45(2x4-56Pcs.)

1 Step

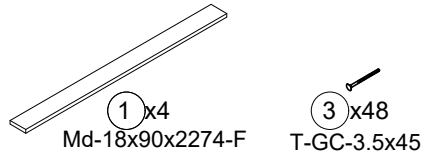


2 Step

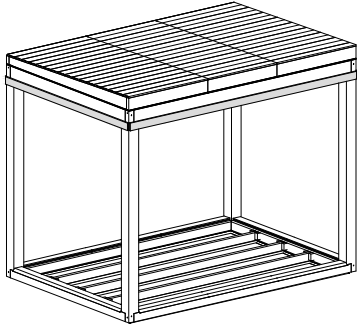




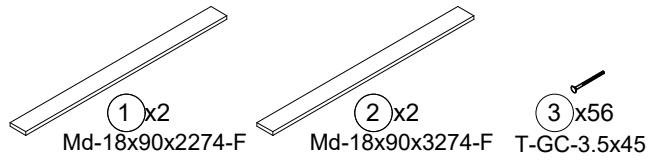
6. Cube-Garden Cube 2x2
WALLS SUPPORTS



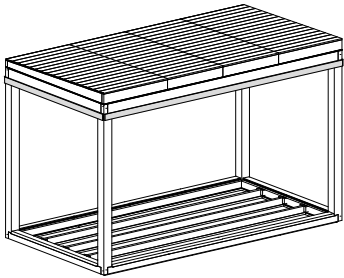
OR



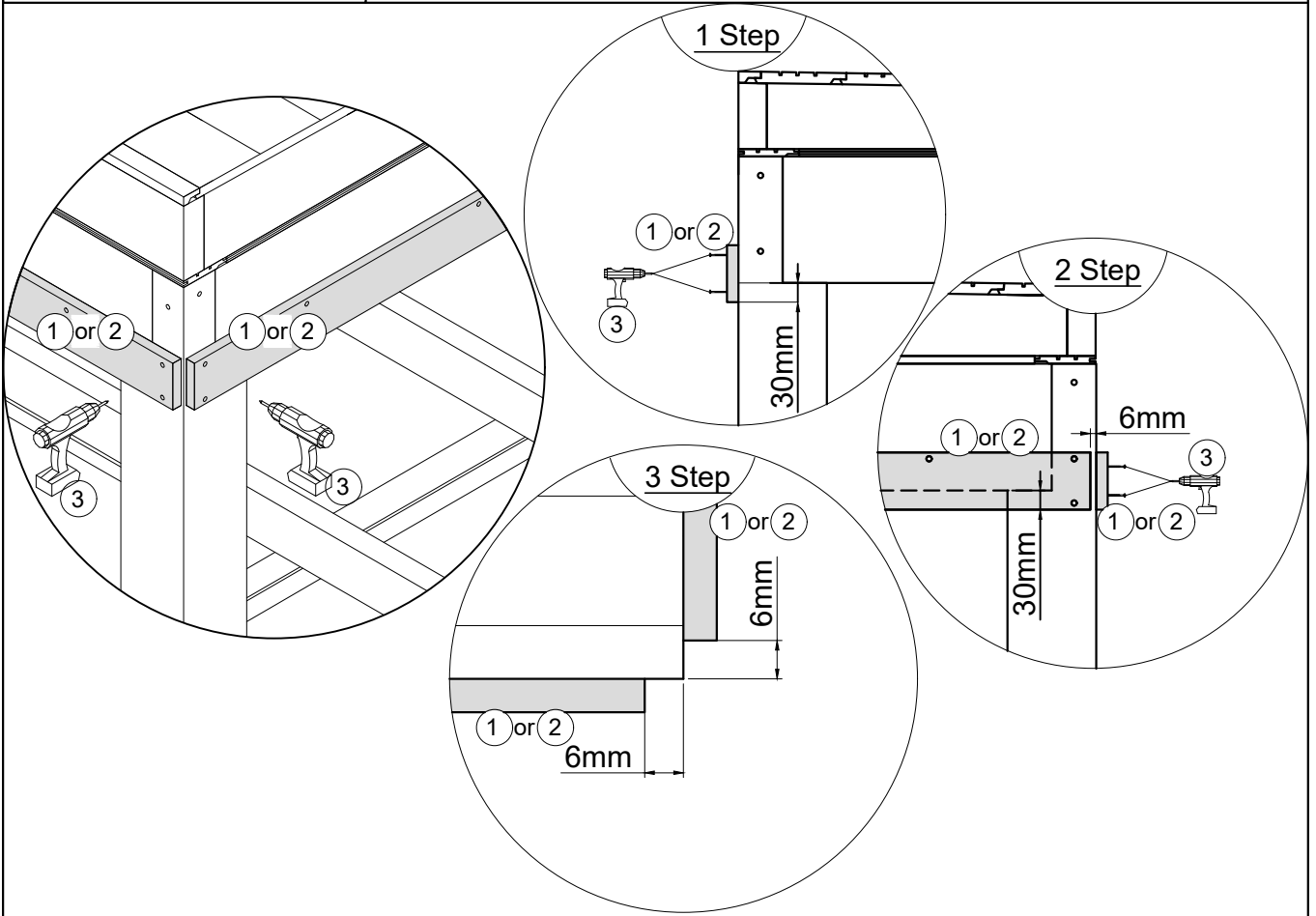
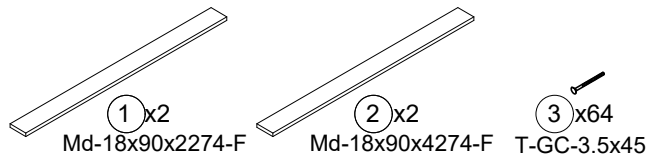
6. Cube-Garden Cube 2x3
WALLS SUPPORTS



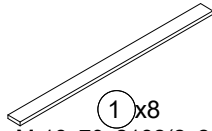
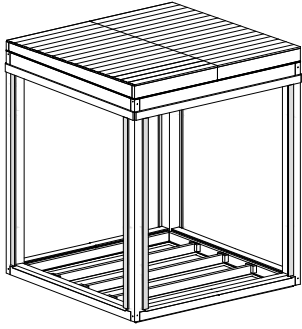
OR



6. Cube-Garden Cube 2x4
WALLS SUPPORTS



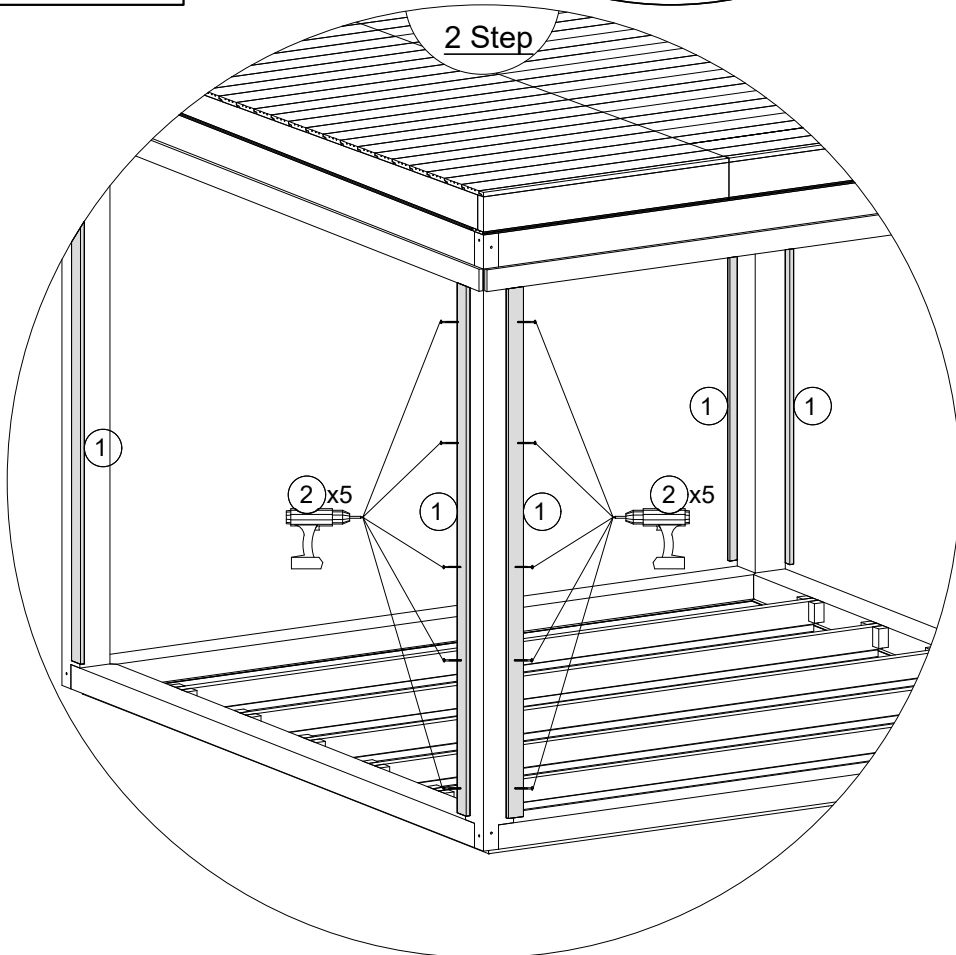
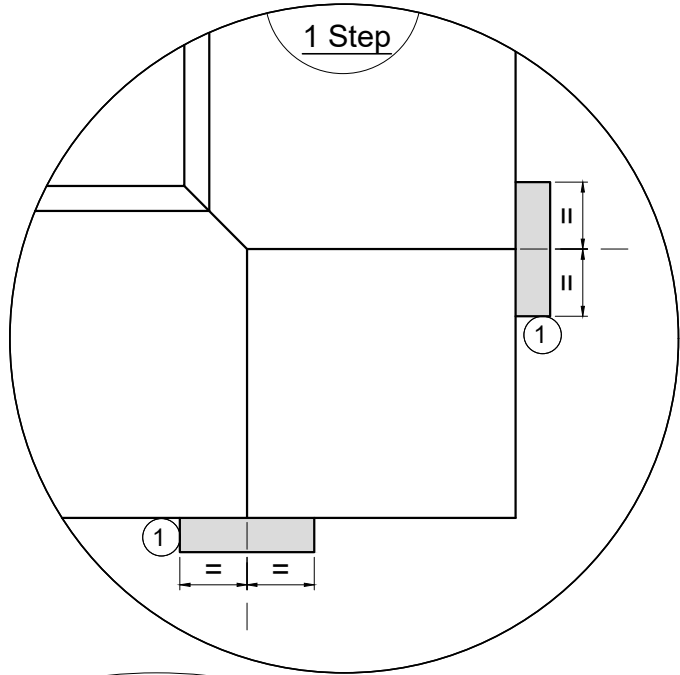
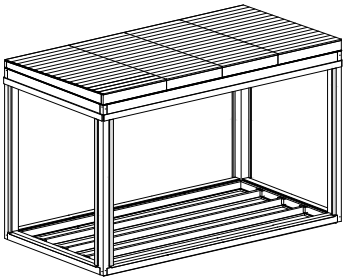
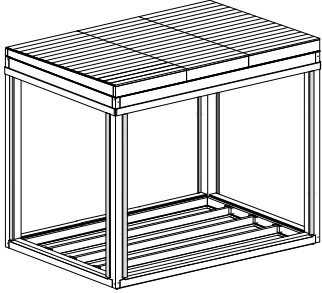
7. Cube-Garden Cube 2x2/2x3/2x4 WALLS SUPPORTS



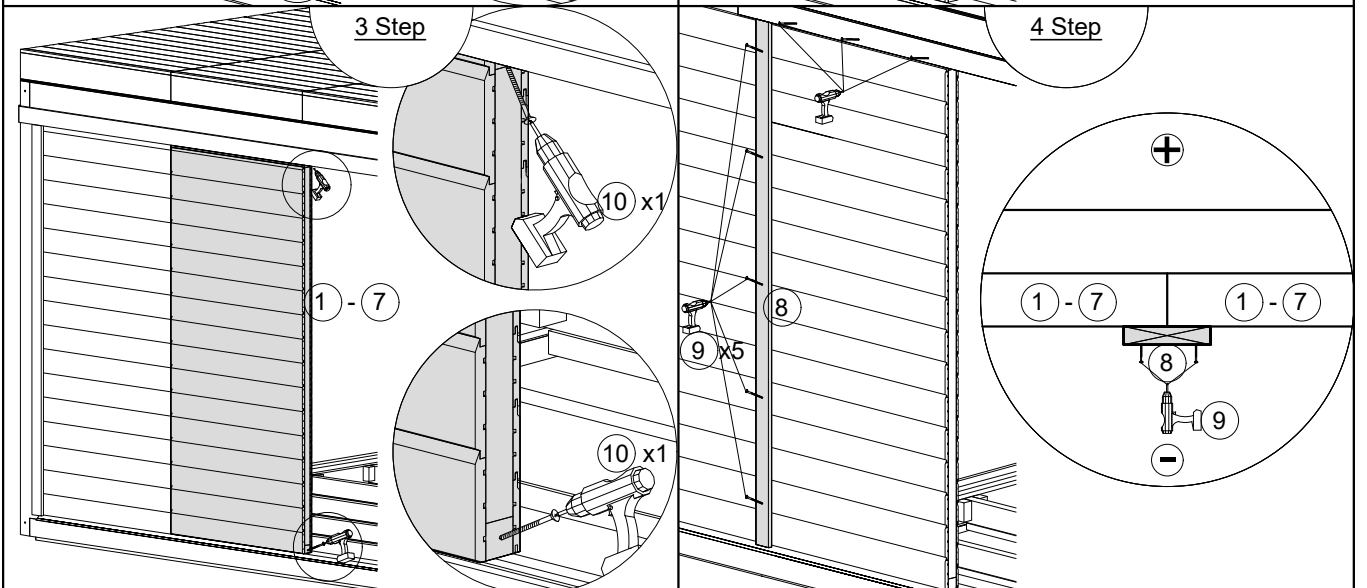
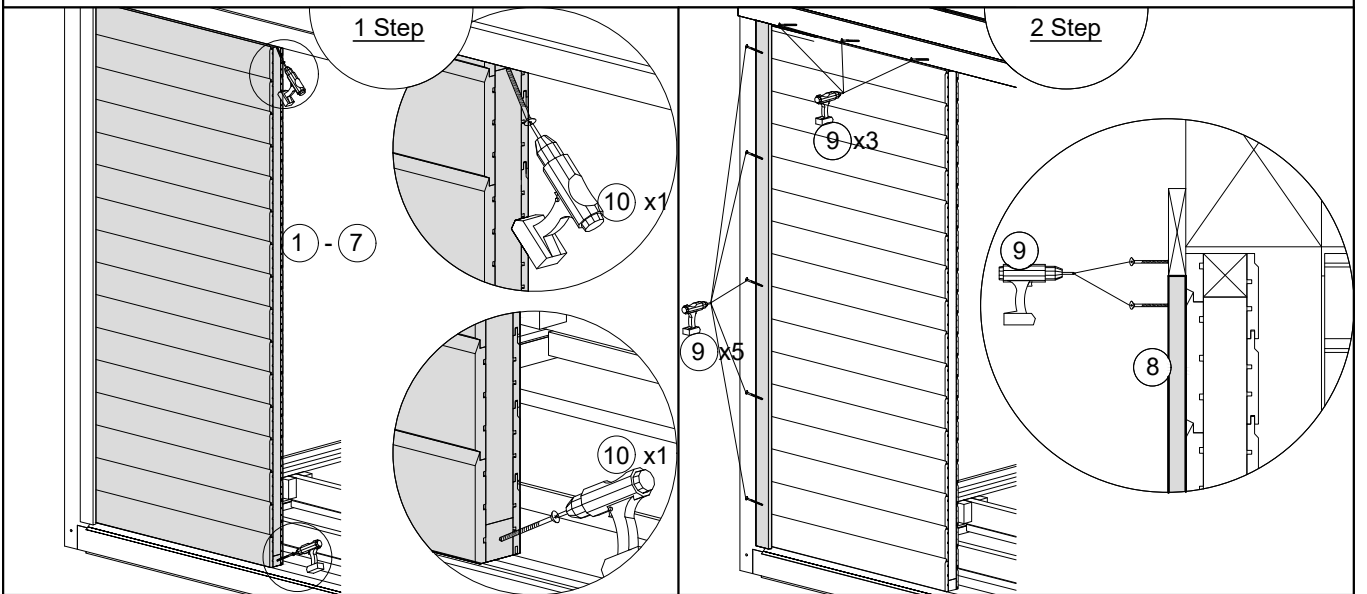
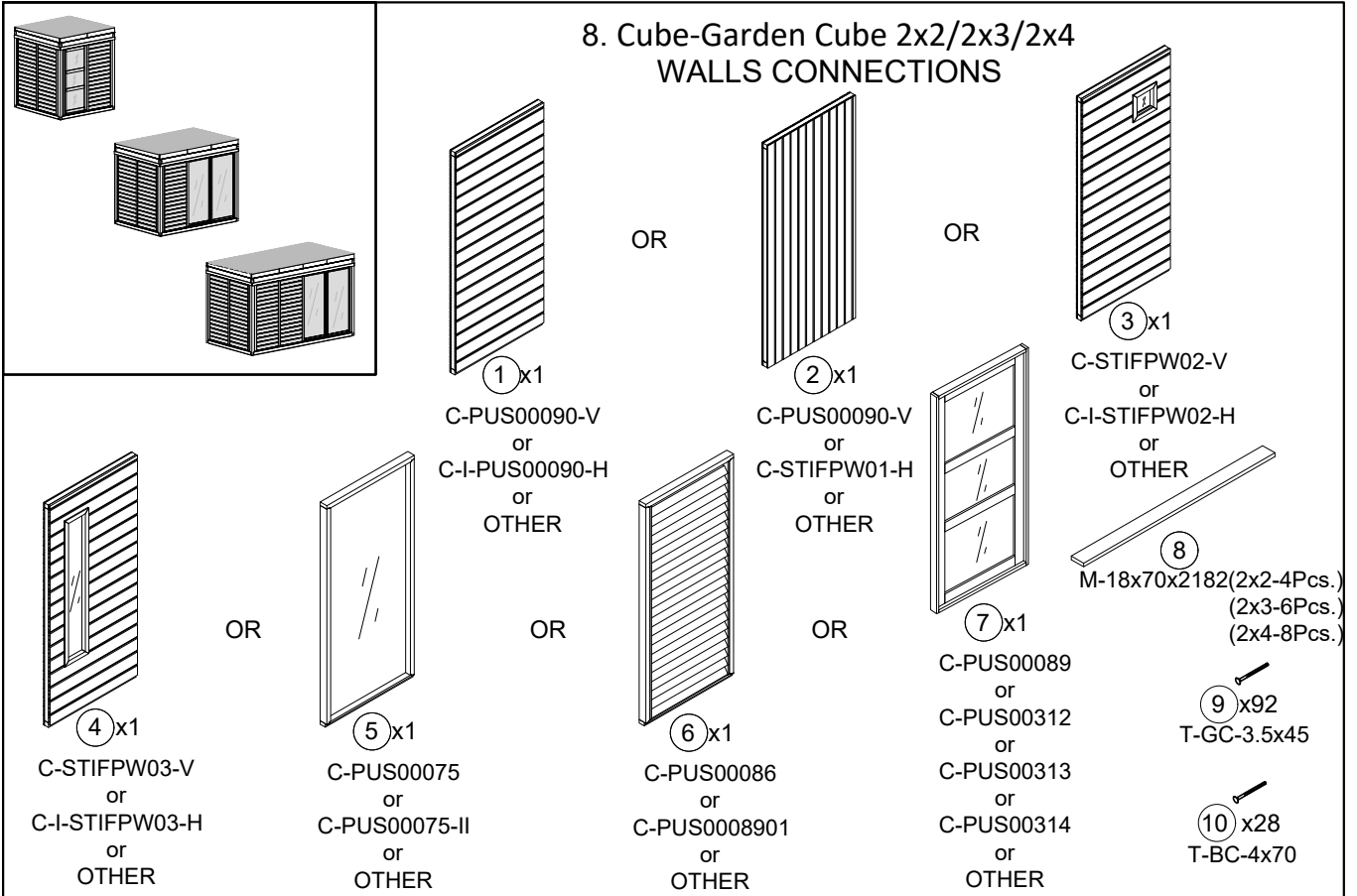
① x8
M-18x70x2182(2x2-8Pcs.)
(2x3-8Pcs.)
(2x4-8Pcs.)

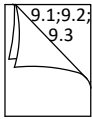
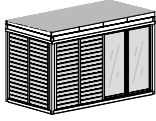
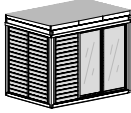
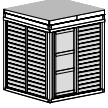


② x40
T-GC-3.5x45

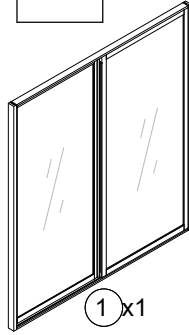


8. Cube-Garden Cube 2x2/2x3/2x4 WALLS CONNECTIONS



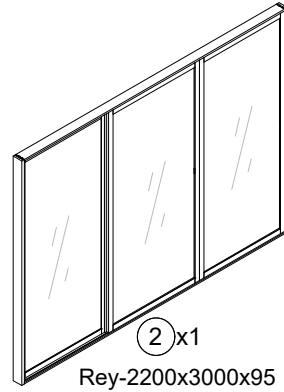


9. Cube-Garden Cube 2x2/2x3/2x4 SLIDING SYSTEM CONNECTIONS

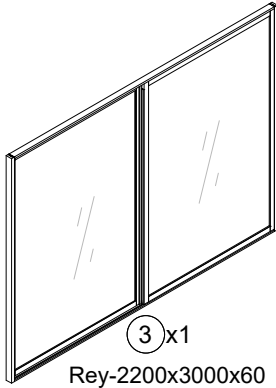


1 x1
Al-2200x2000x60
or
Rey-2200x2000x60

OR

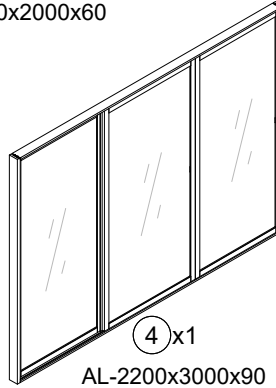


2 x1
Rey-2200x3000x95



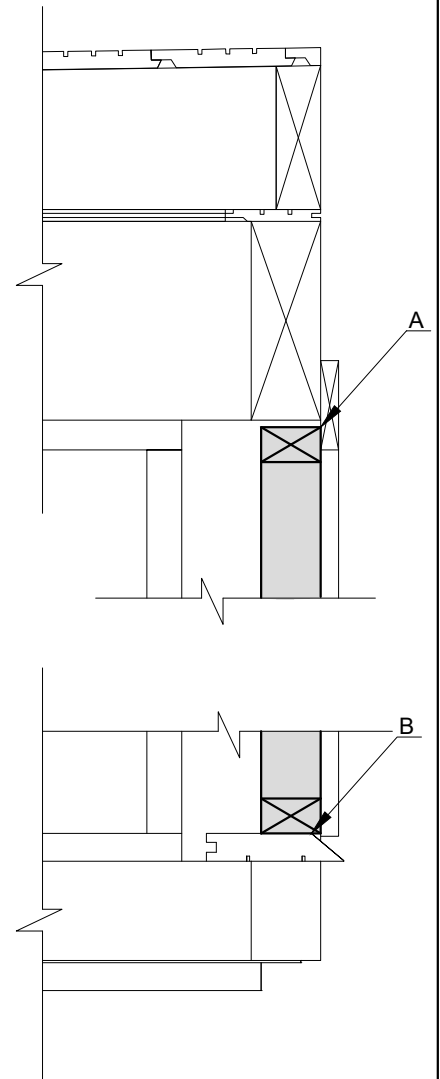
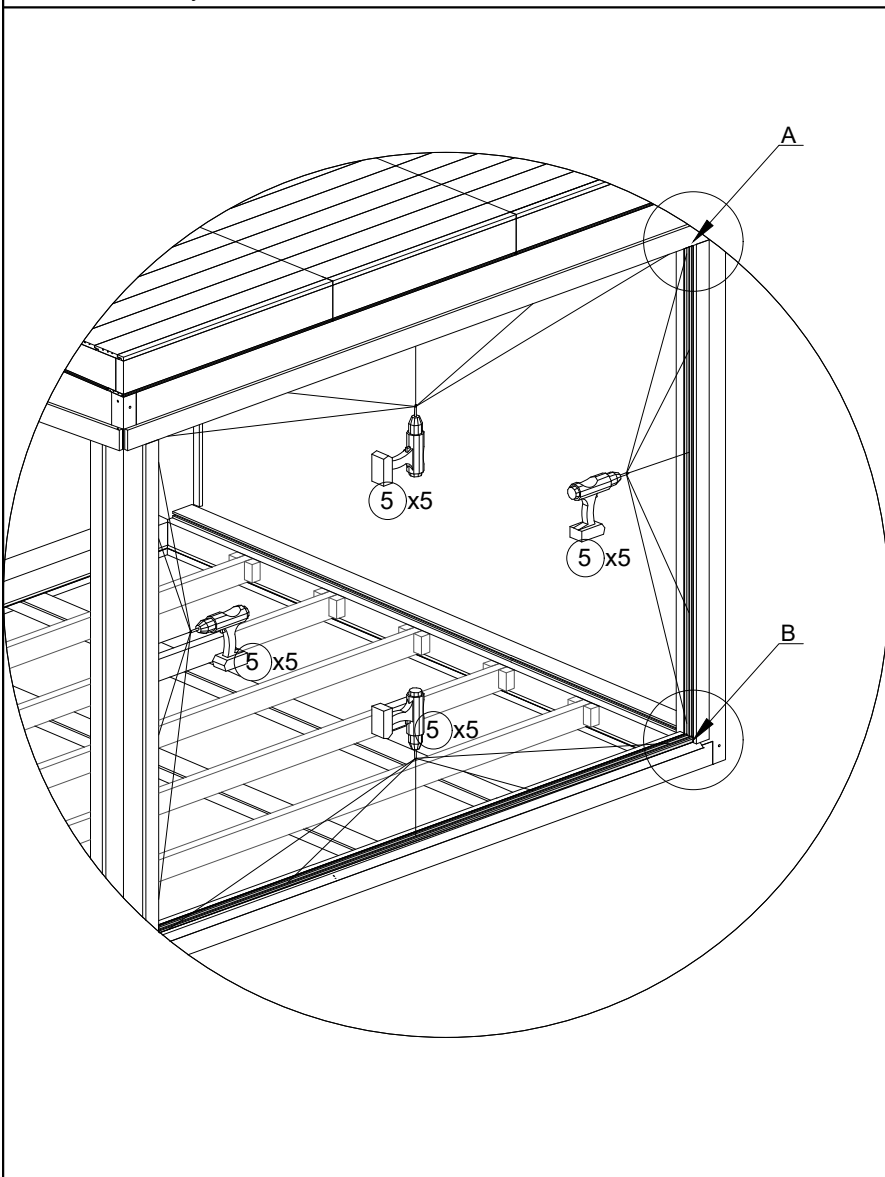
3 x1
Rey-2200x3000x60

OR



4 x1
AL-2200x3000x90

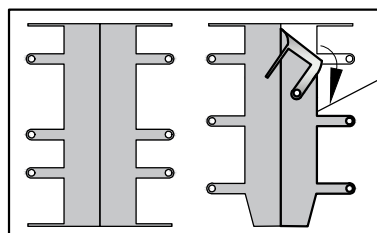
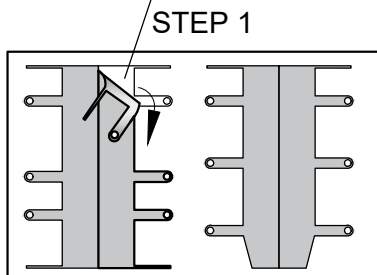
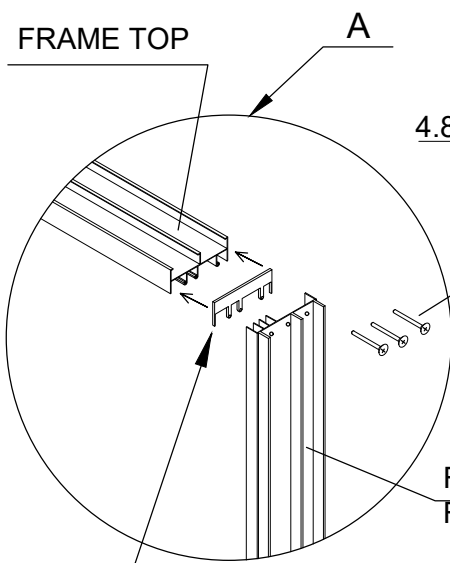
5 x20
T-BC-4x50



9.1 SLIDING SYSTEM ASSEMBLY 3m

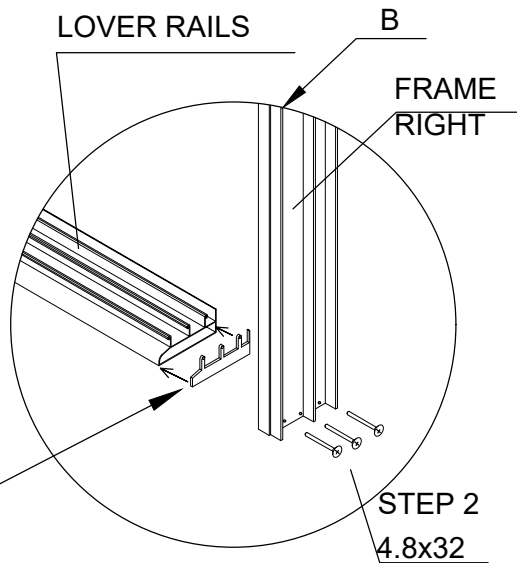
1 x1

Rey-2200x3000x95
or
Rey-2200x3000x60
or
AL-2200x3000x90



STEP 1

STEP 2

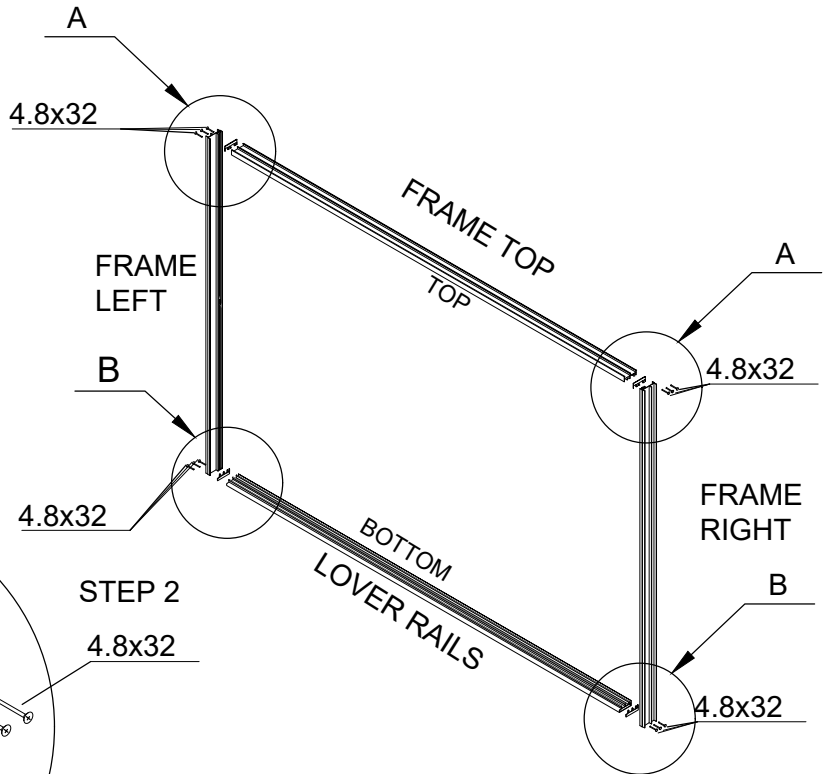
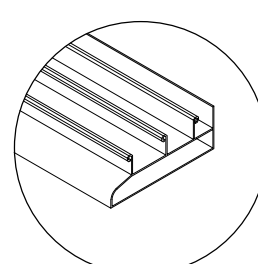
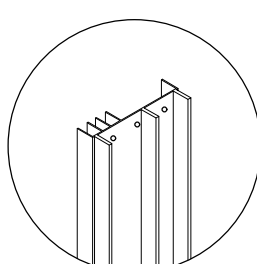
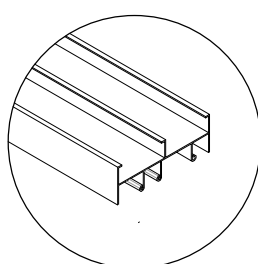
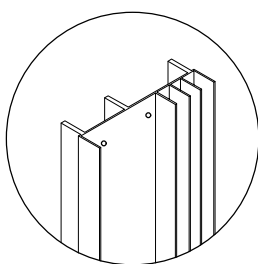


LEFT

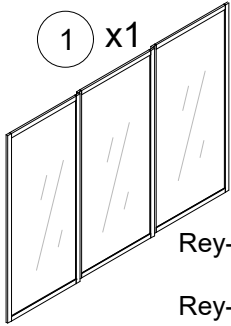
TOP

RIGHT

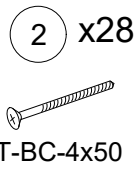
BOTTOM



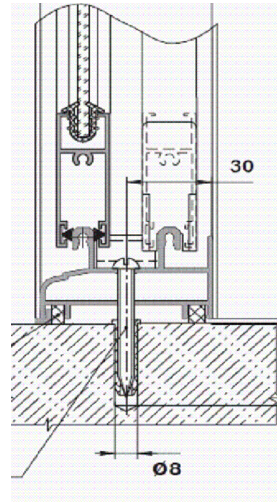
9.2 Cube 2x2/2x3/2x4 SLIDING SYSTEM ASSEMBLY 3m



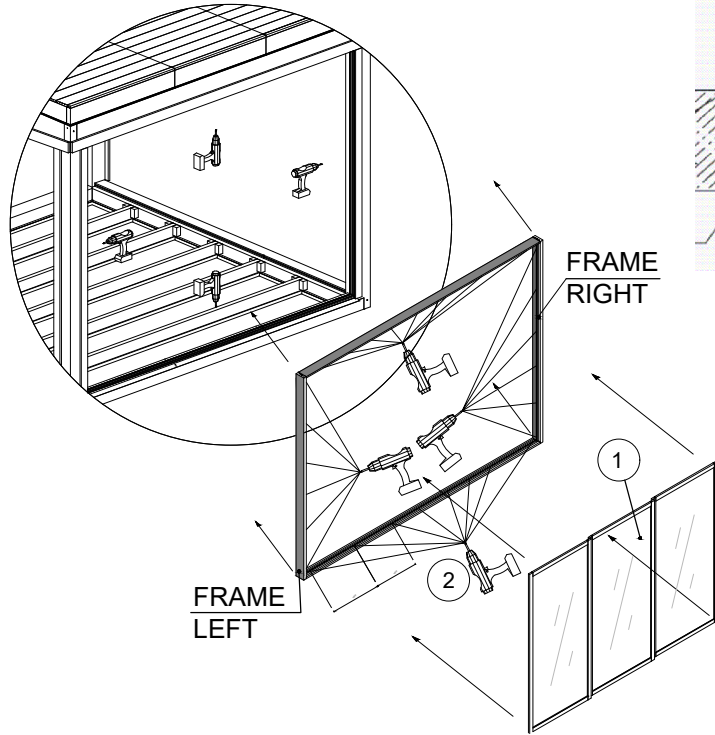
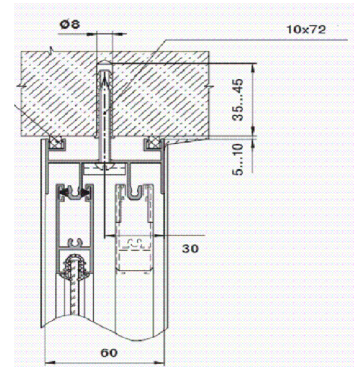
Rey-2200x3000x95
or
Rey-2200x3000x60
or
AL-2200x3000x90



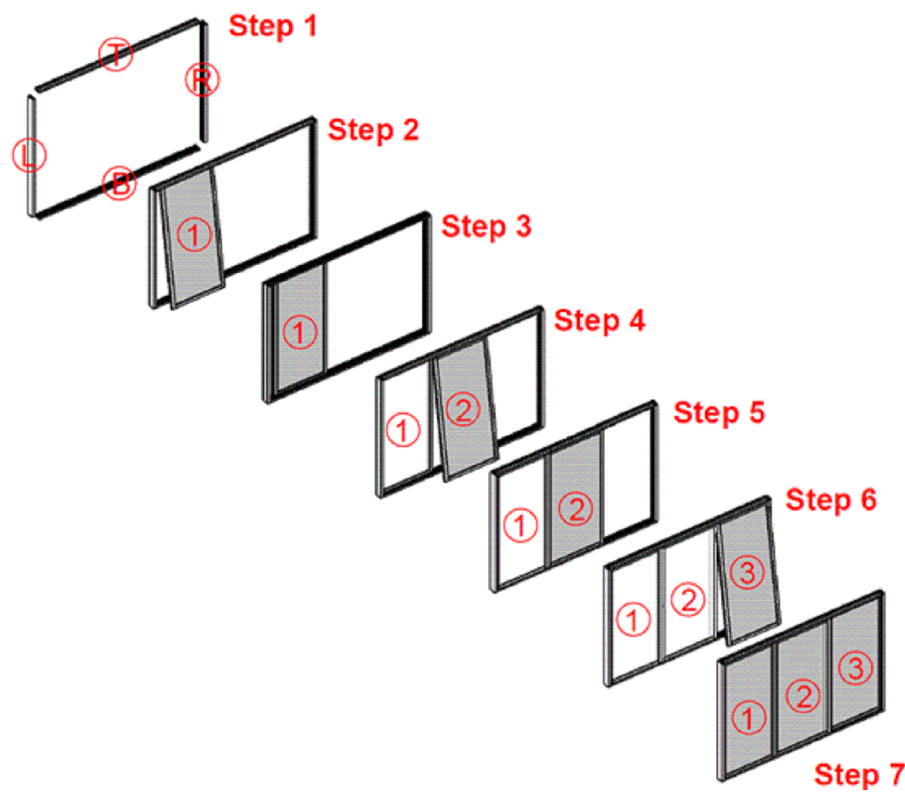
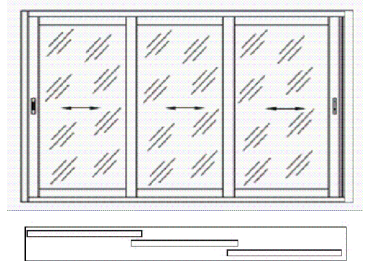
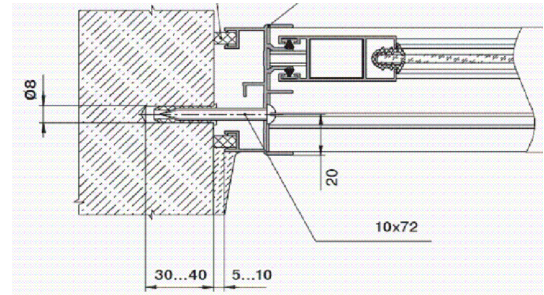
Fixing the lower rail



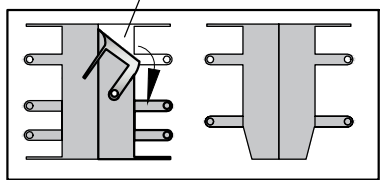
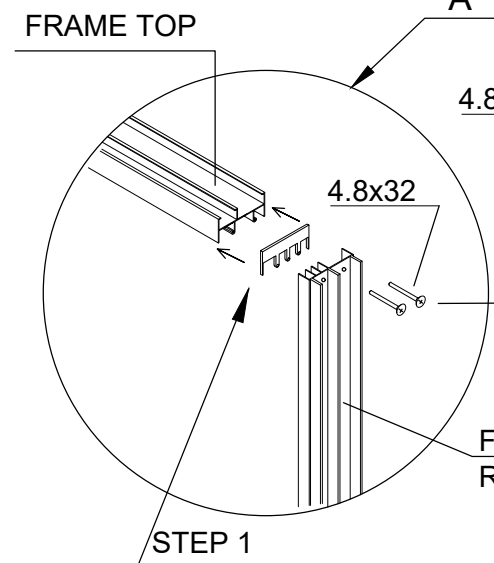
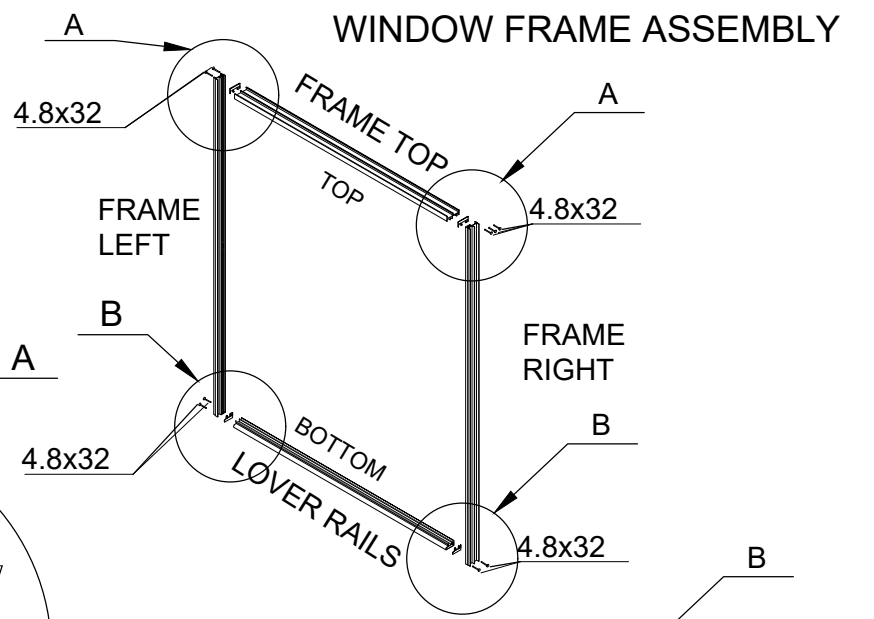
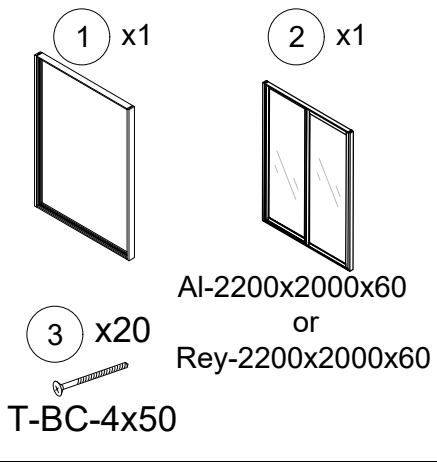
Fixing the top rail



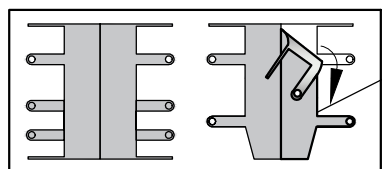
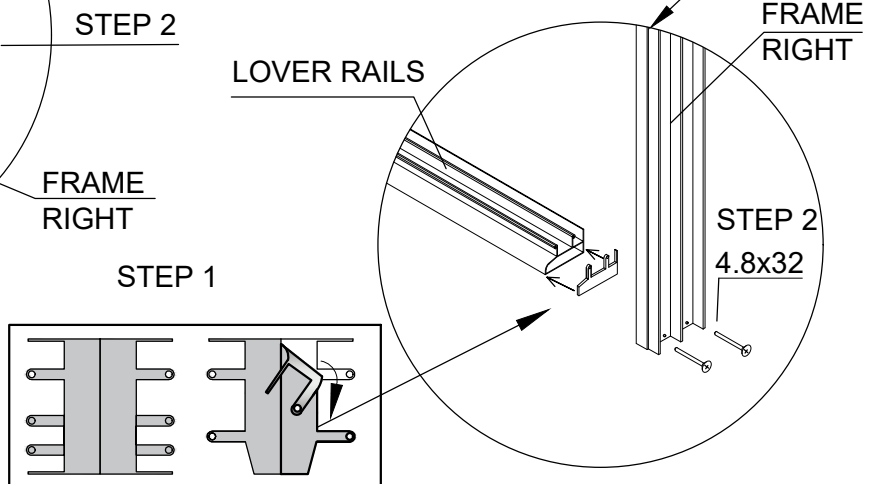
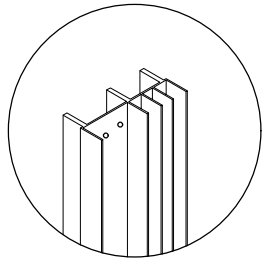
Fixing the side frame



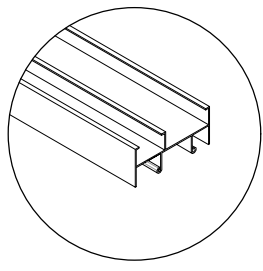
9.3 Cube 2x2/2x3/2x4 SLIDING SYSTEM ASSEMBLY 2m WINDOW FRAME ASSEMBLY



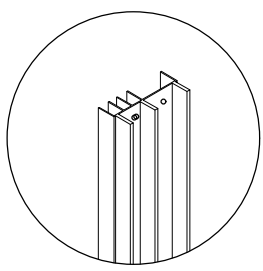
LEFT



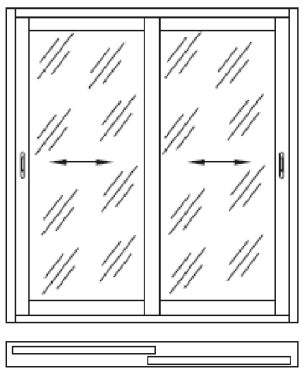
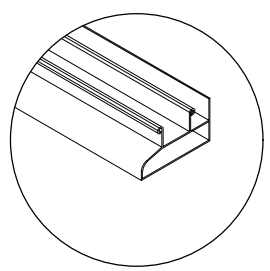
TOP

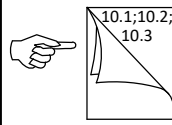
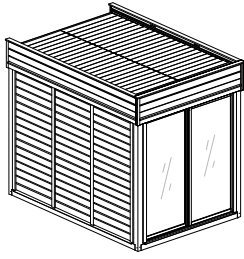


RIGHT

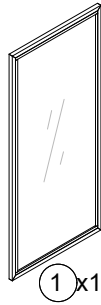


BOTTOM



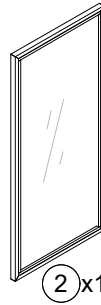


10. Cube-Garden Cube 2x2/2x3/2x4 WINDOWS CONNECTIONS

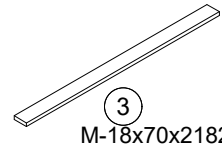


① x1
AL-2200x1000x40

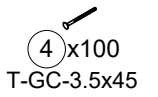
OR



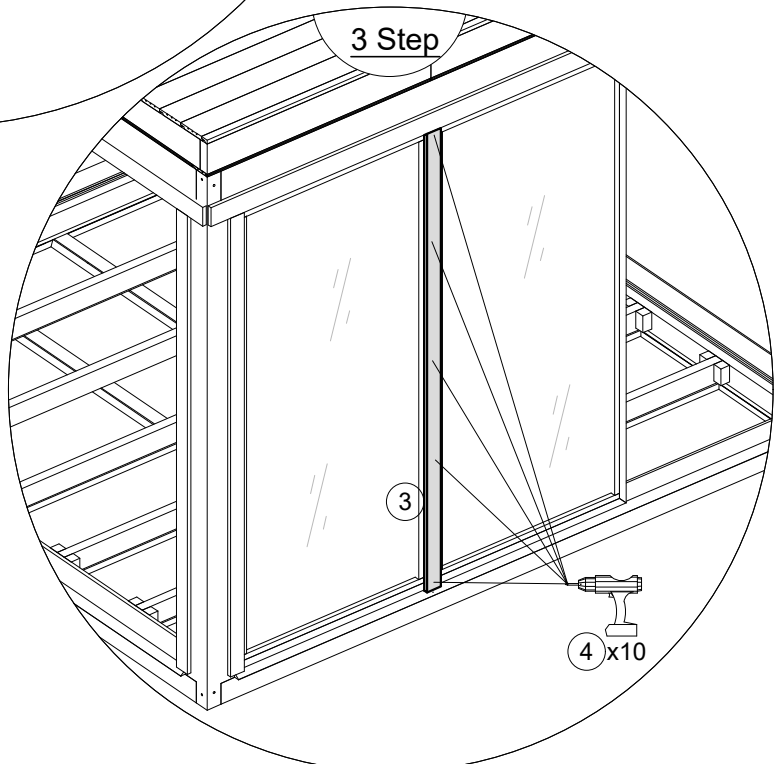
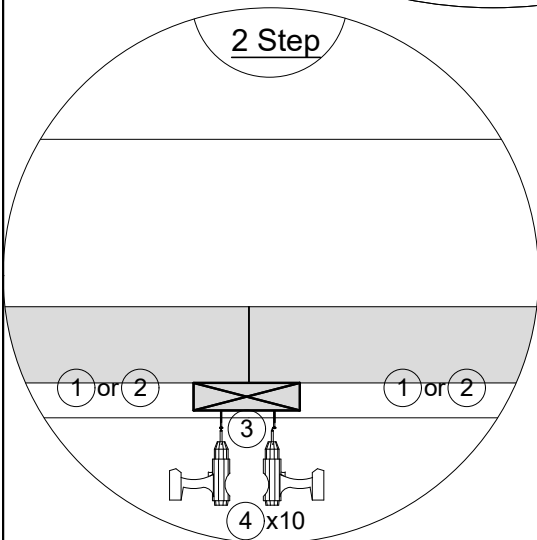
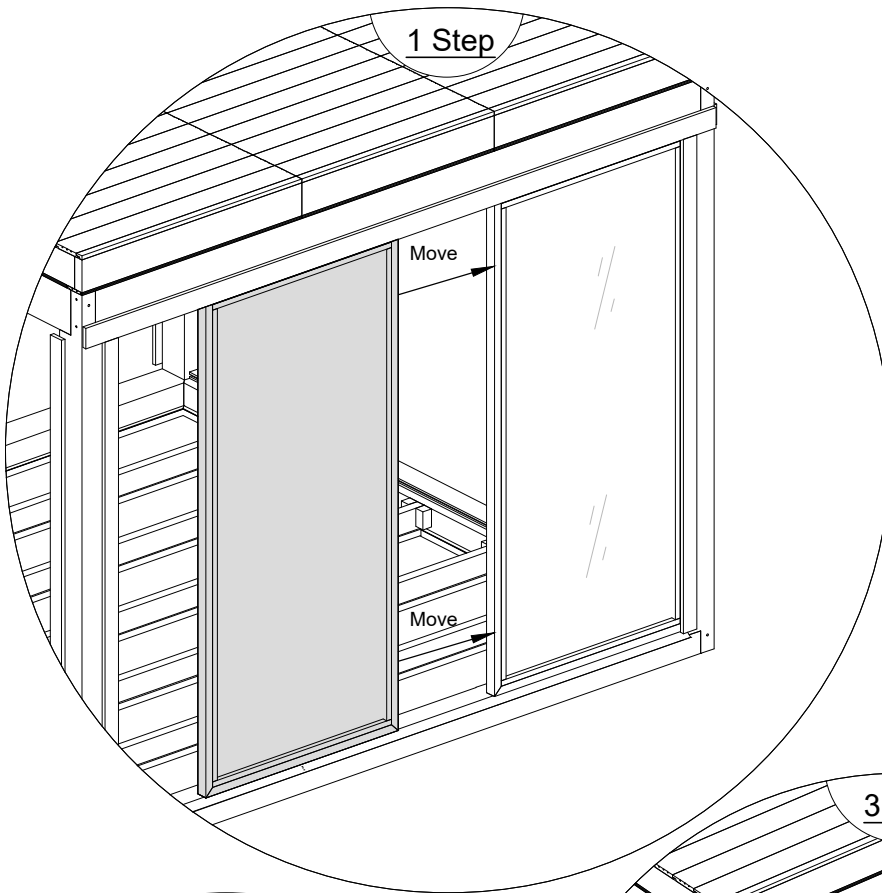
② x1
Rey-2200x1000x50



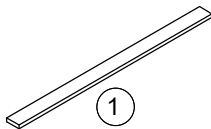
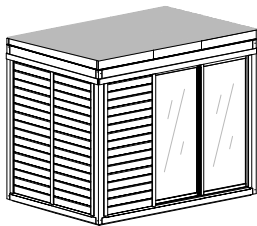
③
M-18x70x2182



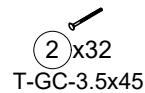
④ x100
T-GC-3.5x45



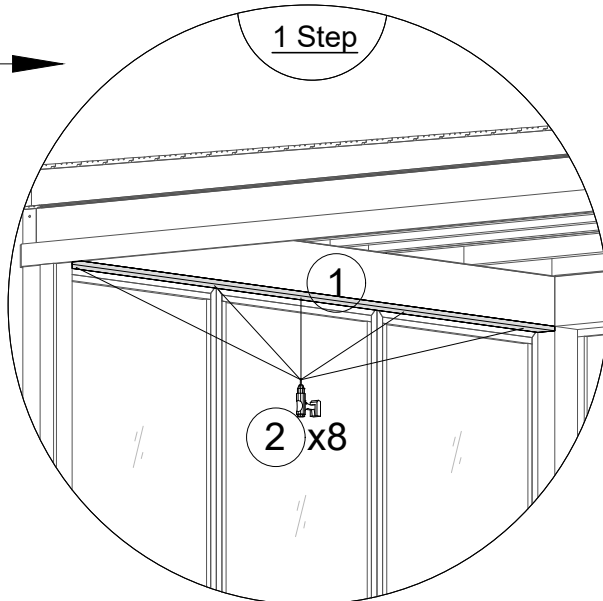
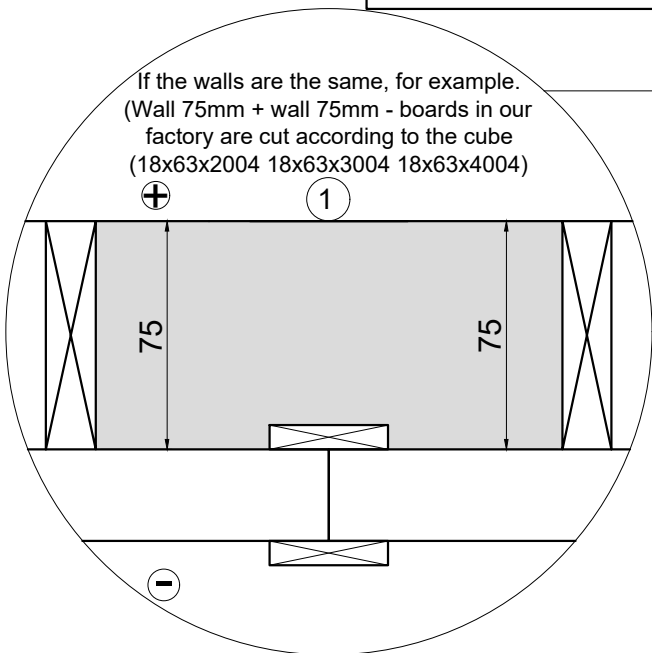
10.1 Cube-Garden Cube 2x2/2x3/2x4 INSIDE WALLS AND WINDOWS SUPPORTS



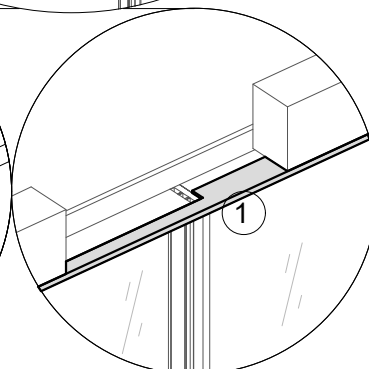
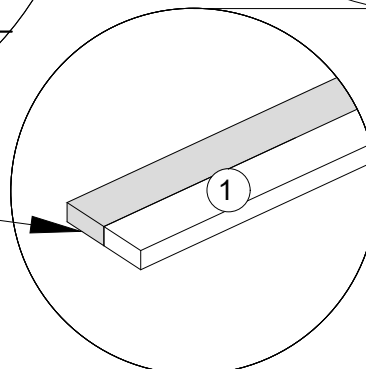
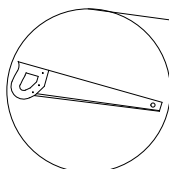
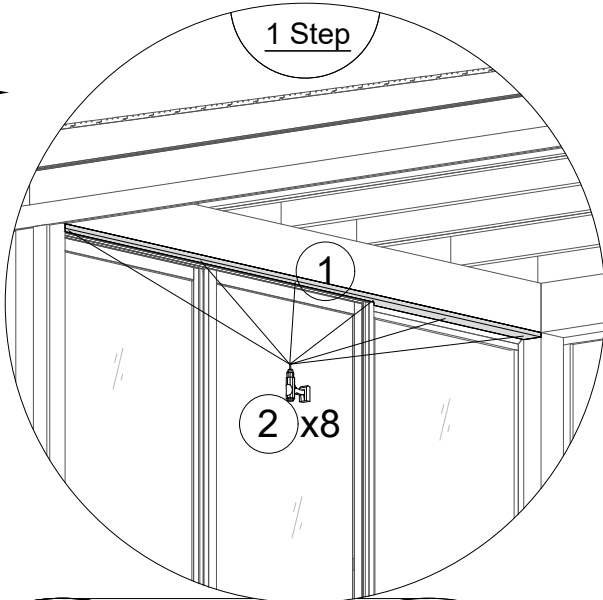
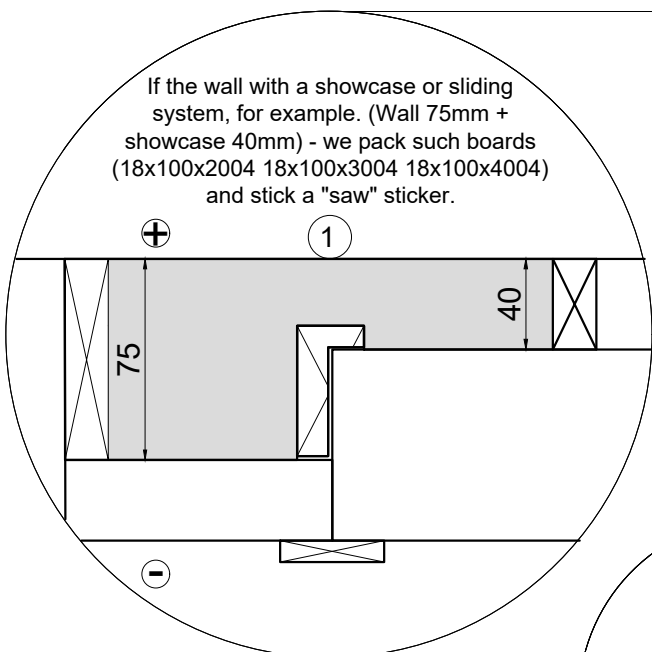
M-18x100x2004(2x2-4Pcs.)
or
M-18x100x2004(2x3-2Pcs.)
M-18x100x3004(2x3-2Pcs.)
or
M-18x100x2004(2x4-2Pcs.)
M-18x100x4004(2x4-2Pcs.)
or
OTHER



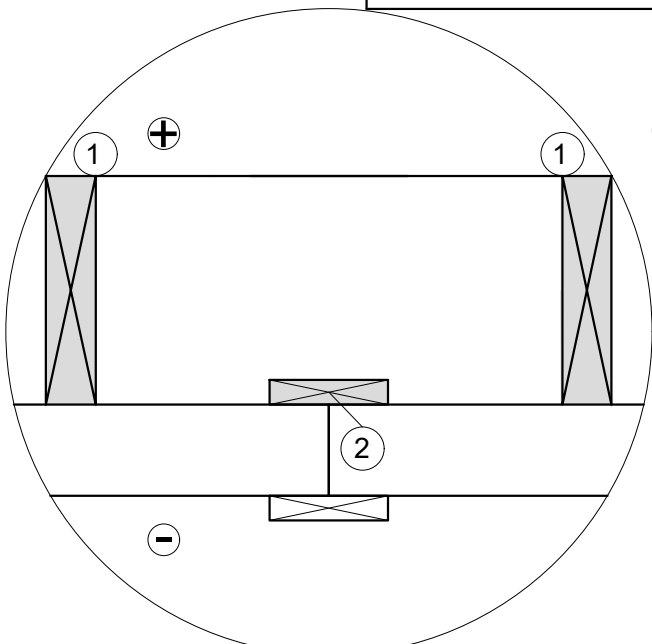
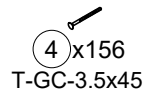
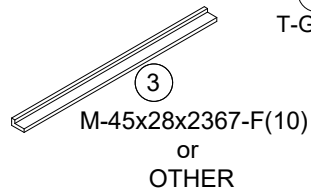
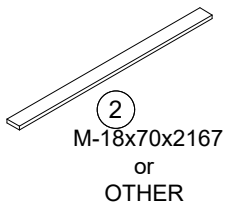
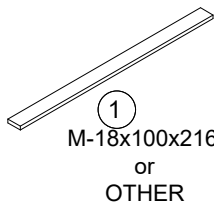
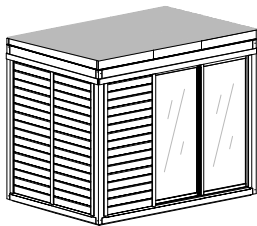
T-GC-3.5x45



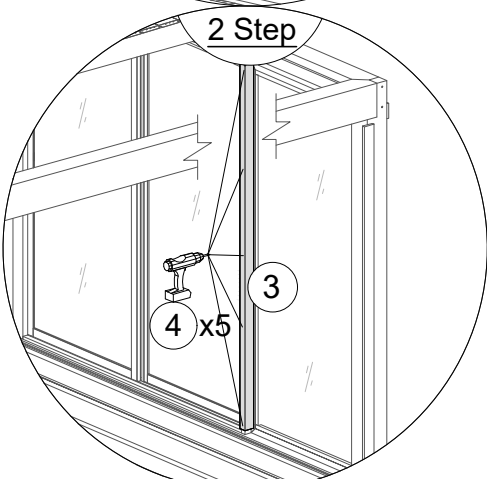
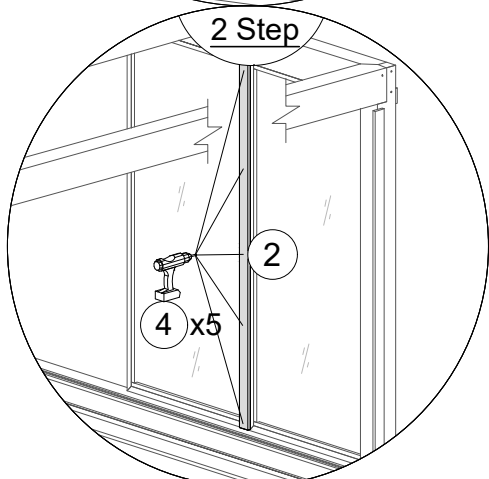
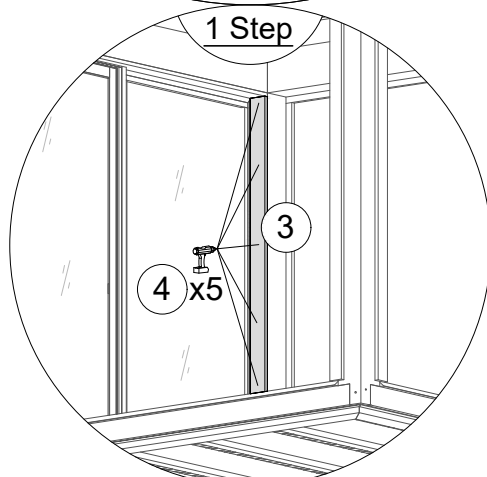
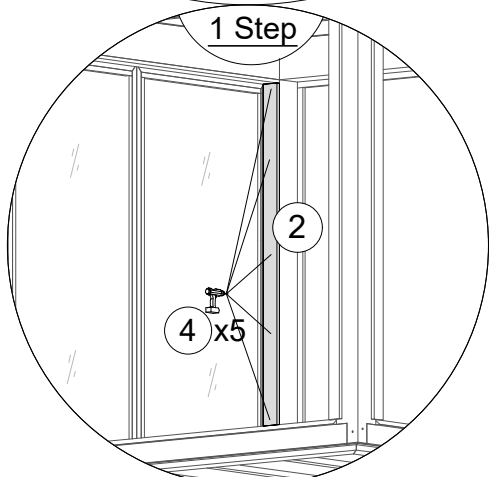
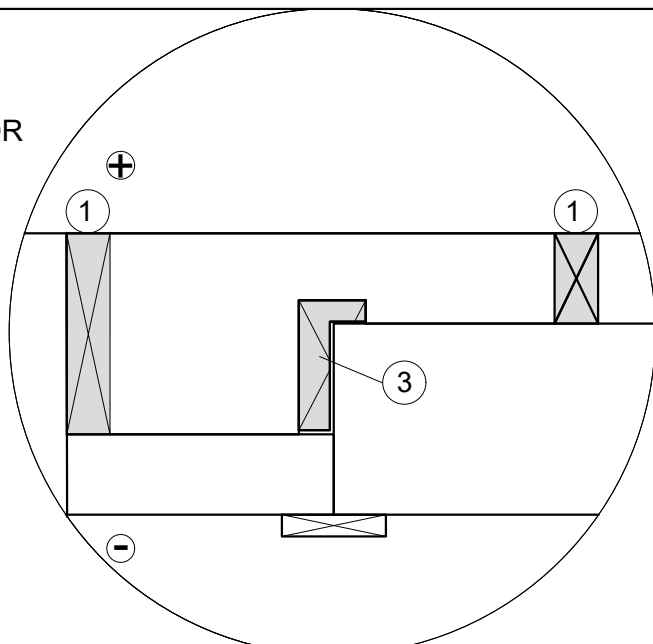
OR



10.2 Cube-Garden Cube 2x2/2x3/2x4 INSIDE WALLS AND WINDOWS SUPPORTS



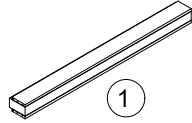
OR



10.3 Cube-Garden Cube 2x2/2x3/2x4 WINDOWS WITH PARTITION WALL CONNECTIONS

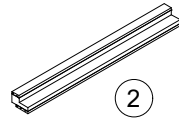


Rey-2200x1000x50



1

M-69x88x2367-F(0)
or
OTHER



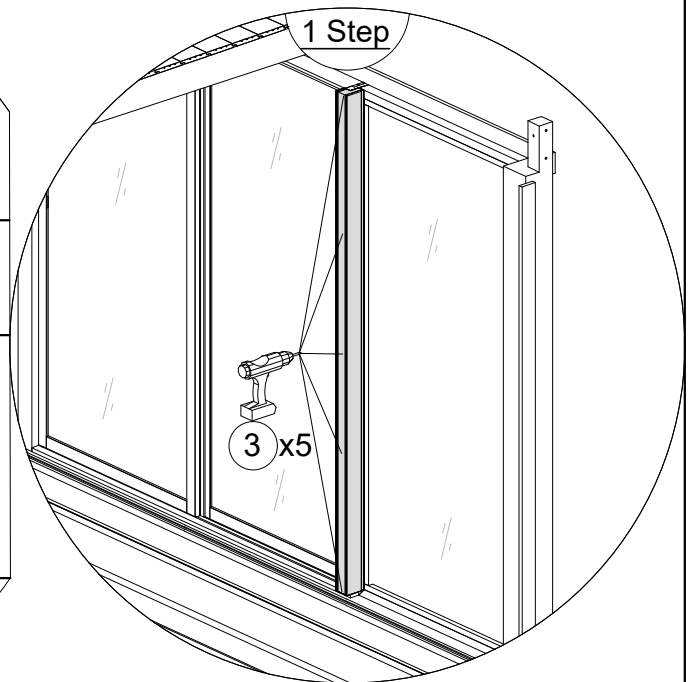
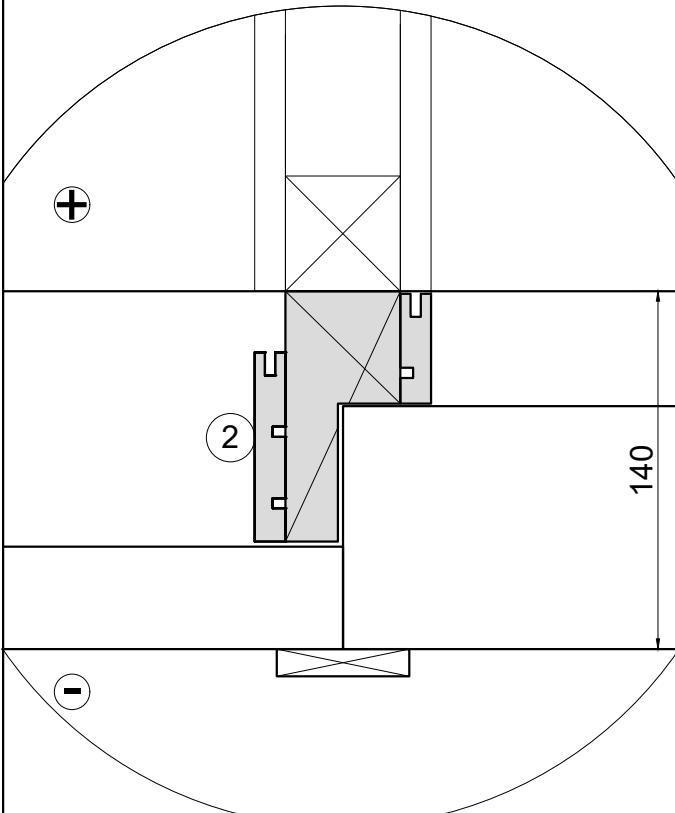
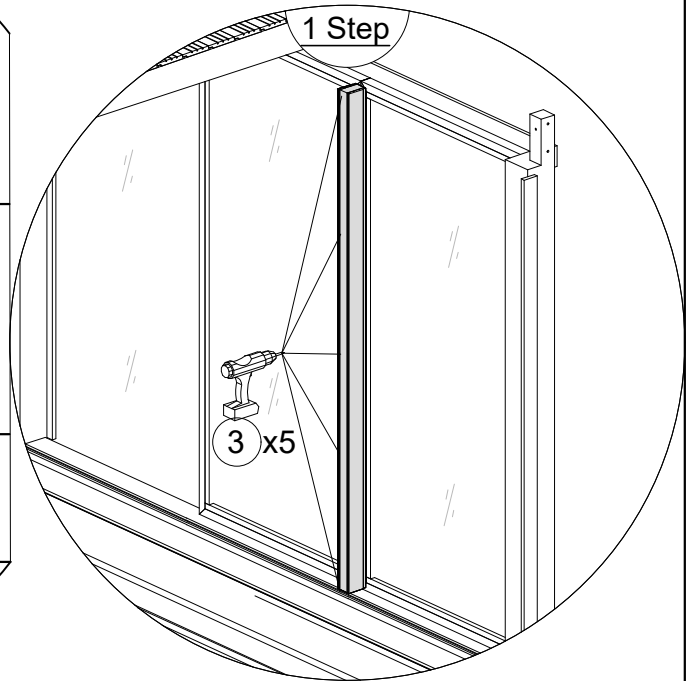
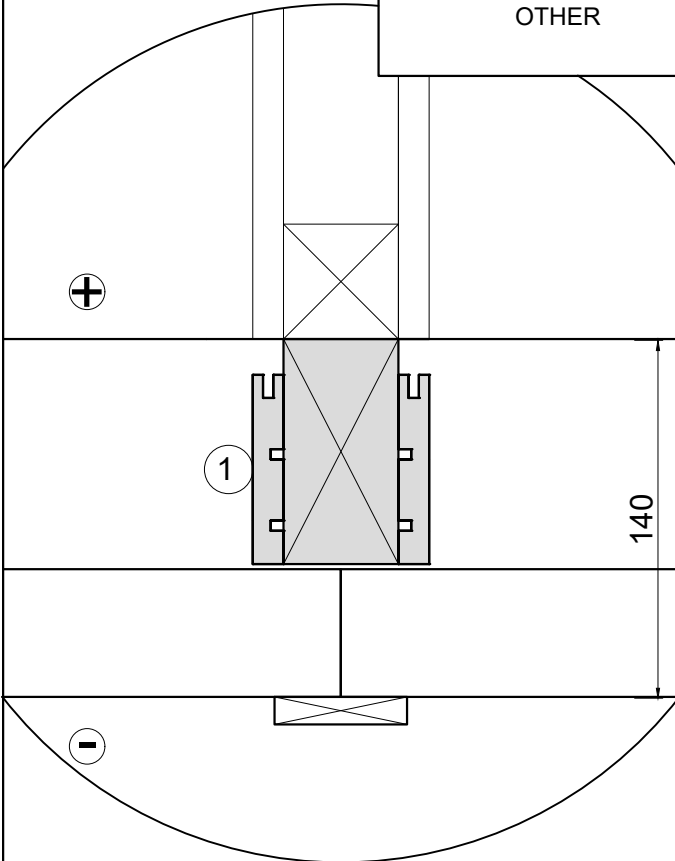
2

M-69x88x2367-F(10)
or
OTHER

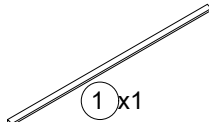
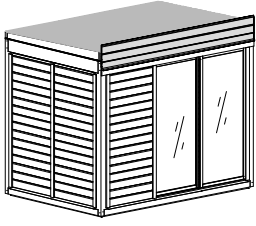


3 x10

T-GC-6x80



11. Cube-Garden Cube 2x2/2x3/2x4 ROOF FRONT OUTSIDE DECORATION



① x1

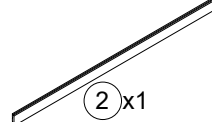
M-35x45x2258-F(2x2)

or

M-35x45x3258-F(2x3)

or

M-35x45x4258-F(2x4)



② x1

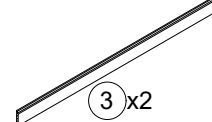
Md-18x110x2274-F(2x2)

or

Md-18x110x3274-F(2x3)

or

Md-18x110x4274-F(2x4)



③ x2

Md-18x145x2274(2x2)

or

Md-18x145x3274(2x3)

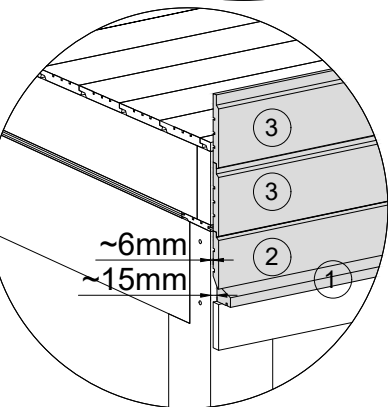
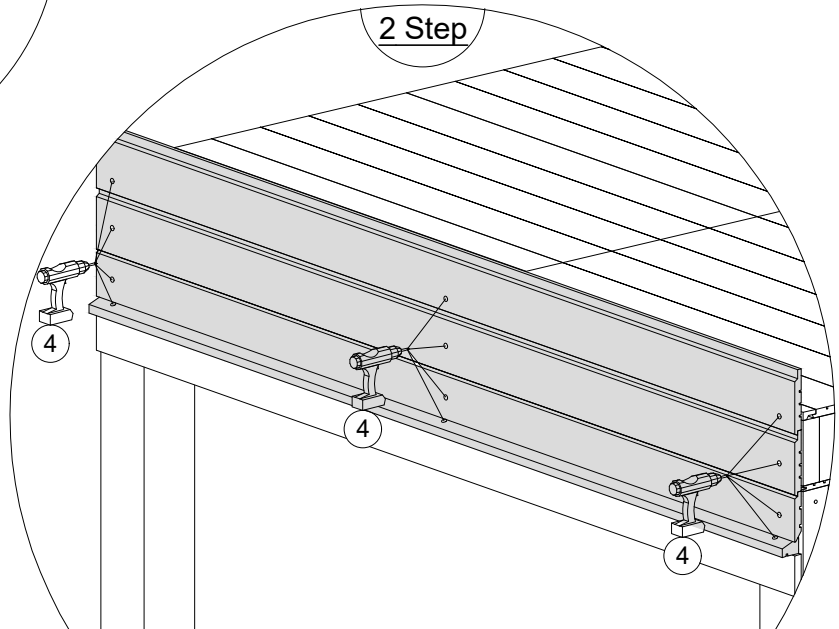
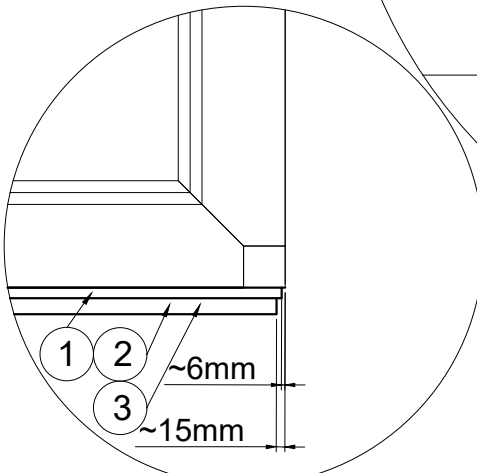
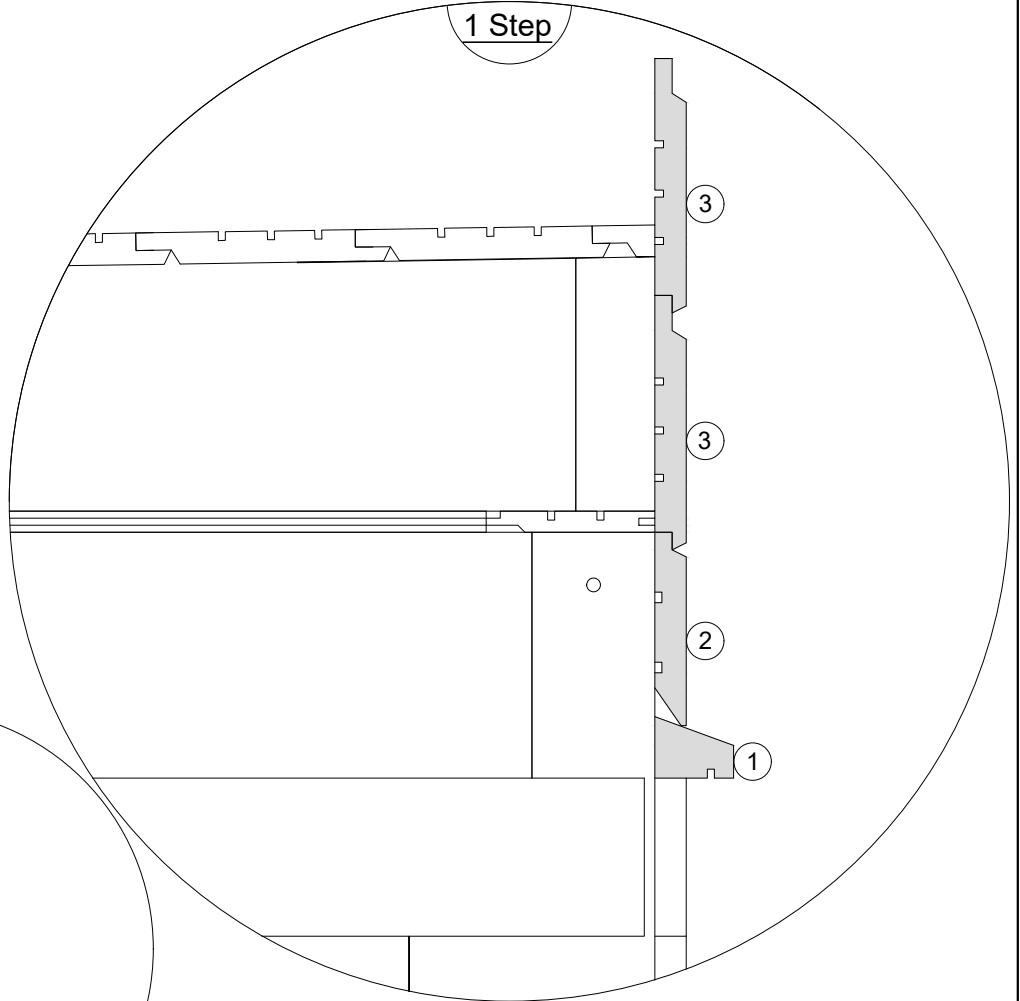
or

Md-18x145x4274(2x4)

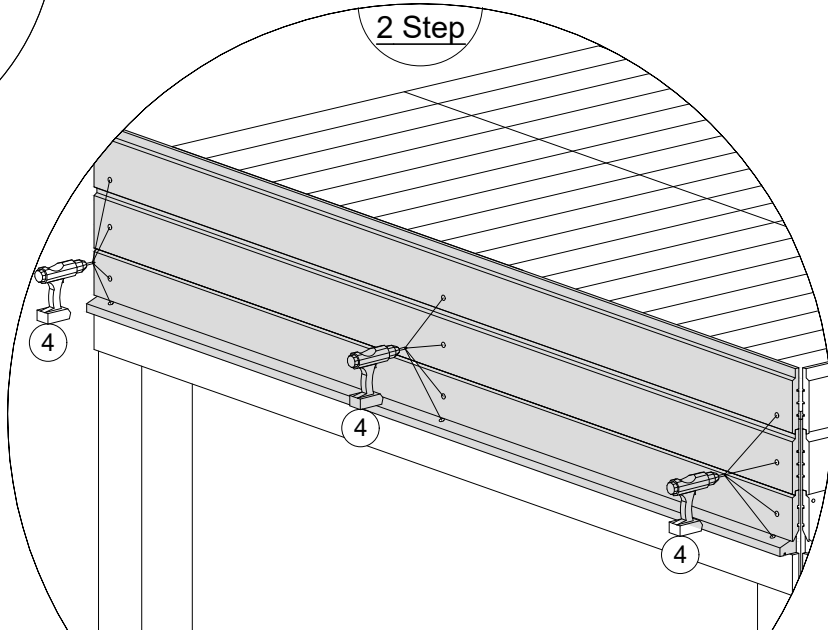
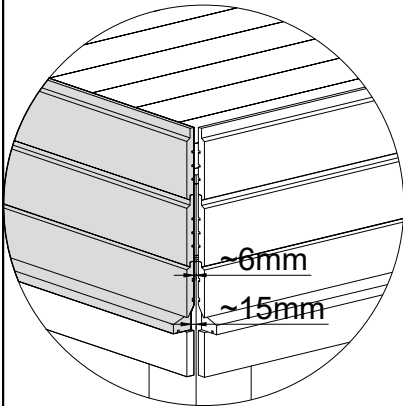
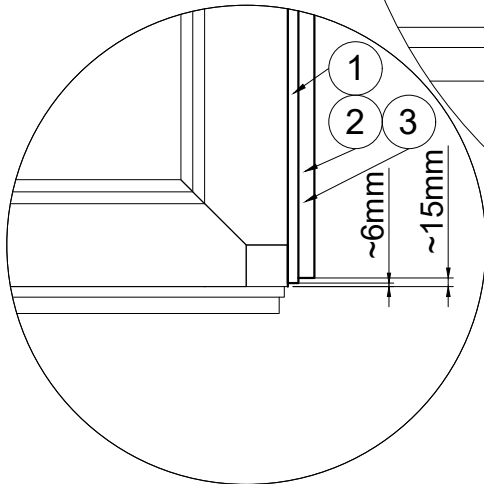
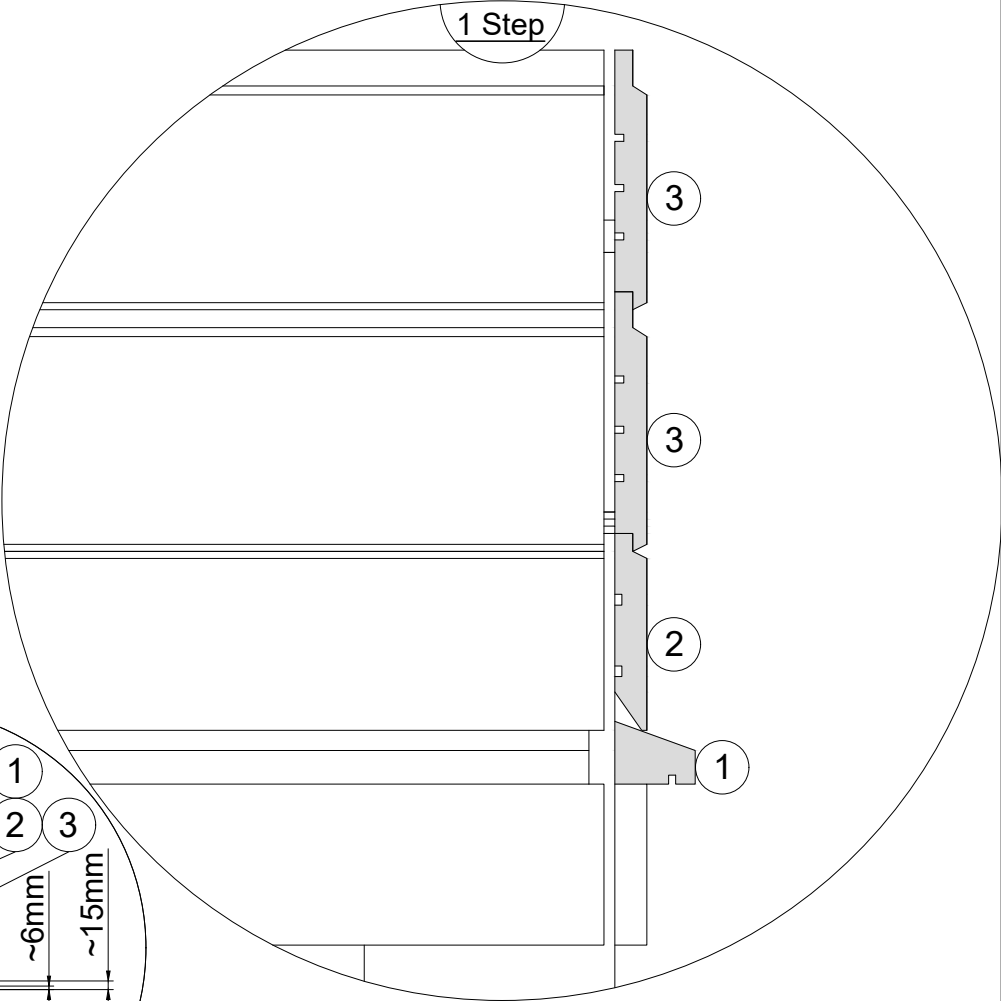
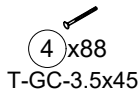
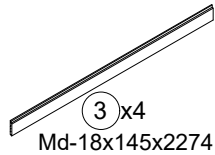
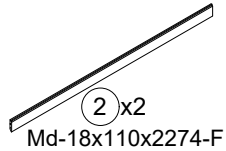
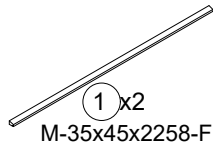
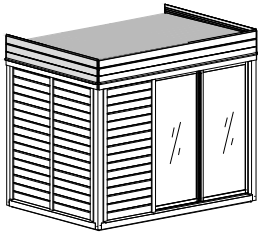


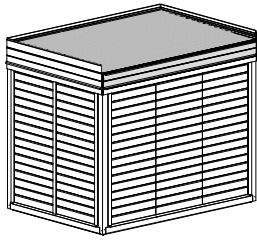
④ x44

T-GC-3.5x45



11.1 Cube-Garden Cube 2x2/2x3/2x4 ROOF SIDES OUTSIDE DECORATION





11.2 Cube-Garden Cube 2x2/2x3/2x4 ROOF BACK OUTSIDE DECORATION

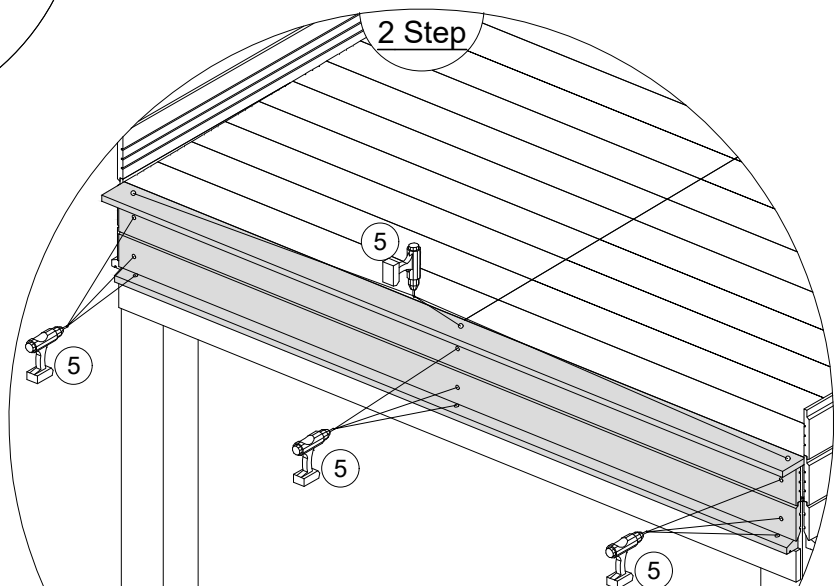
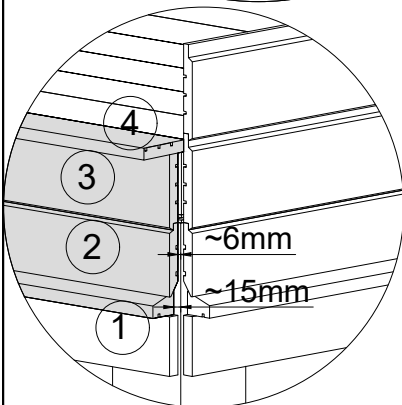
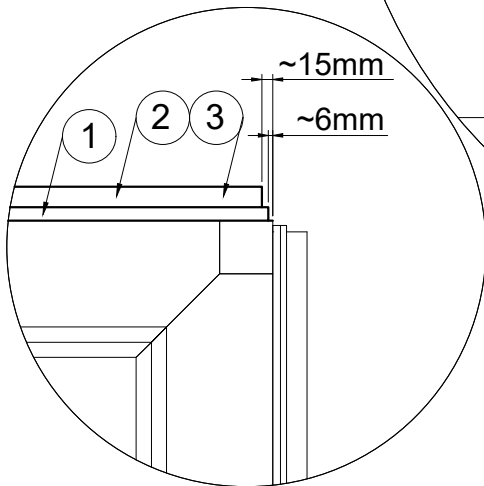
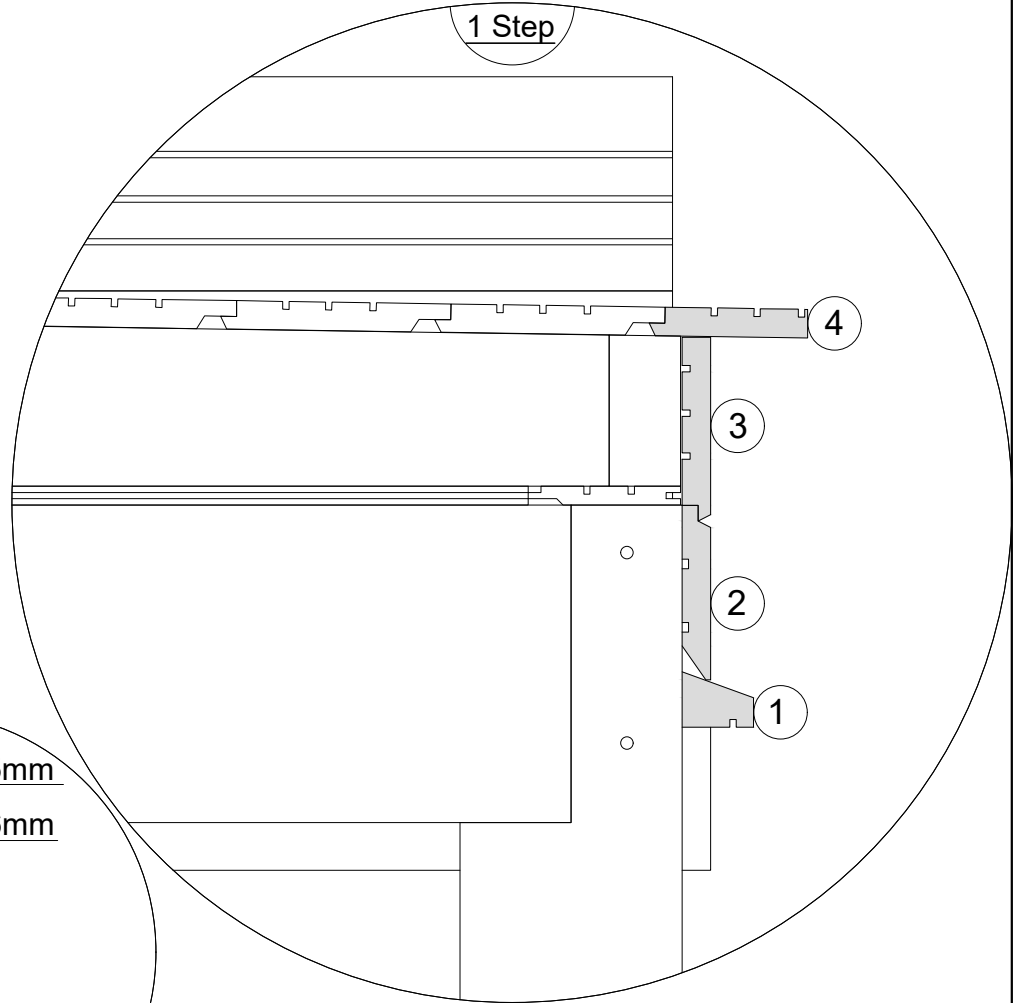
⑤ x48
T-GC-3.5x45

① x1
M-35x45x2258-F(2x2)
or
M-35x45x3258-F(2x3)
or
M-35x45x4258-F(2x4)

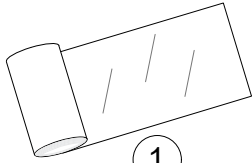
② x1
Md-18x110x2274-F(2x2)
or
Md-18x110x3274-F(2x3)
or
Md-18x110x4274-F(2x4)

③ x1
Md-18x116x2274(2x2)
or
Md-18x116x3274(2x3)
or
Md-18x116x4274(2x4)

④ x1
Md-18x100x2258
or
Md-18x100x3258
or
Md-18x100x4258



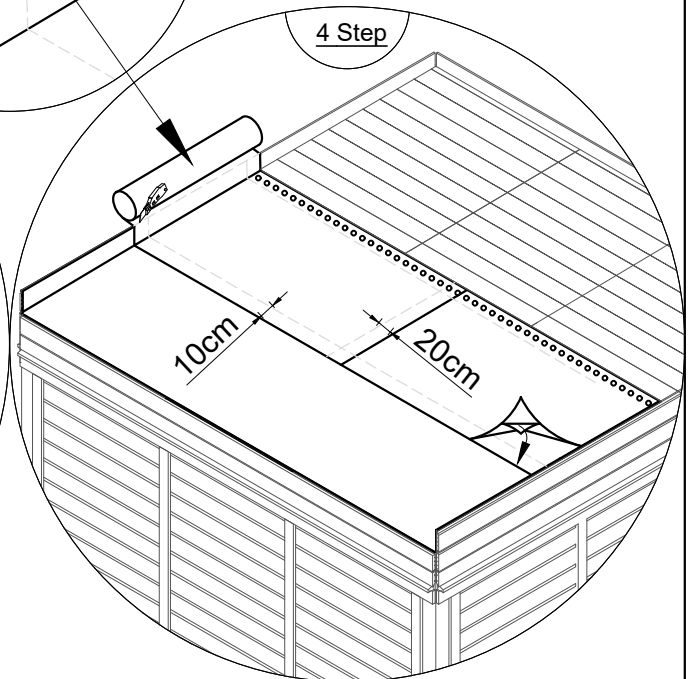
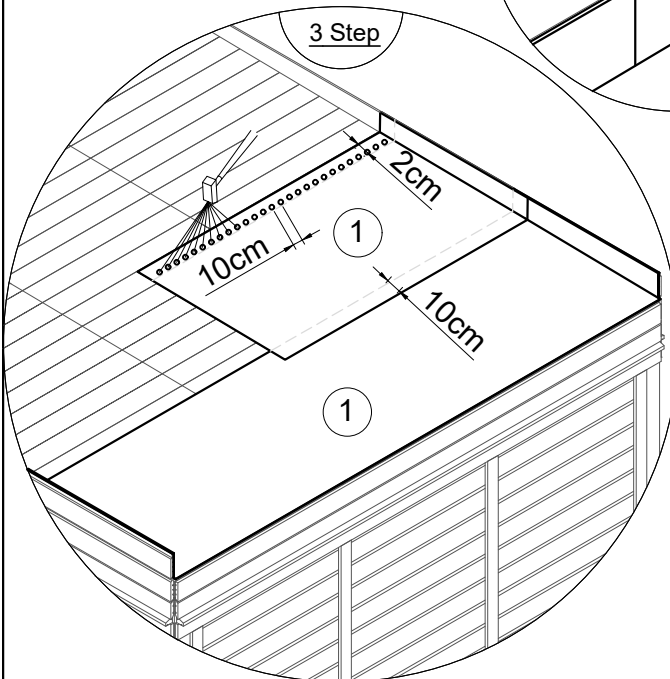
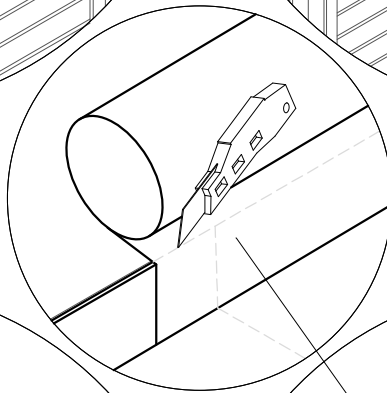
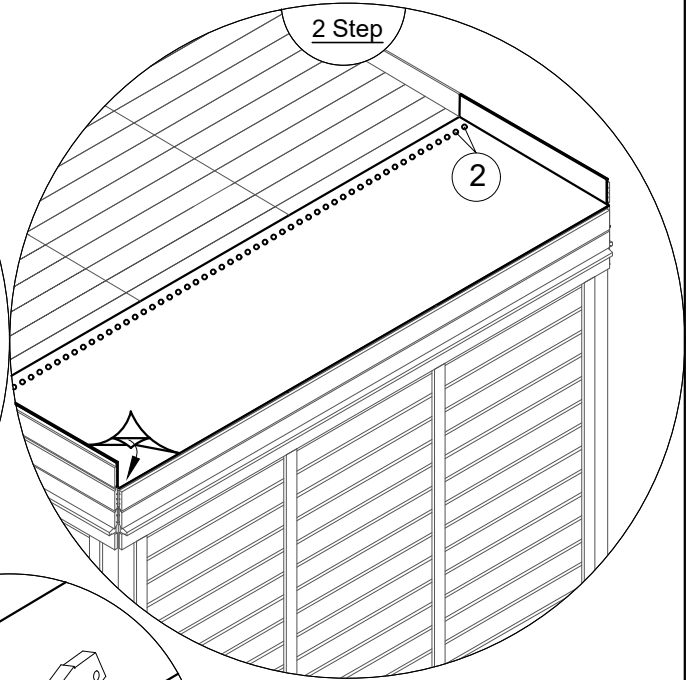
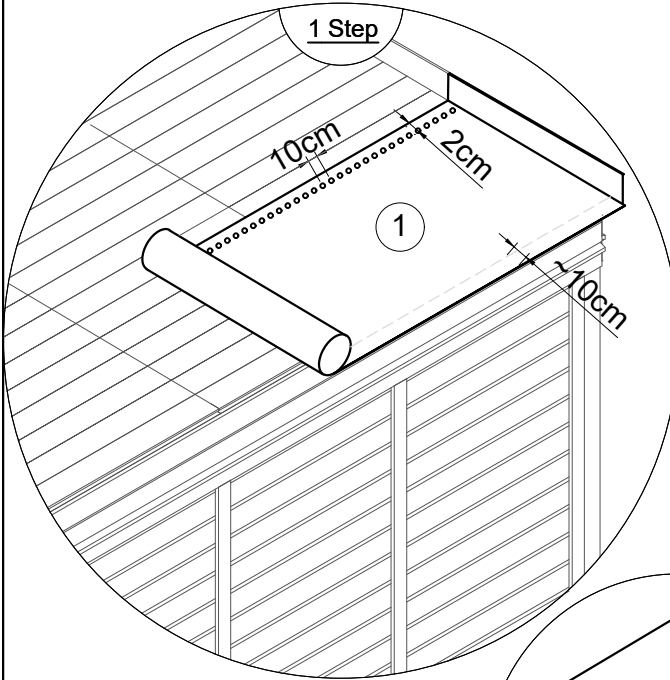
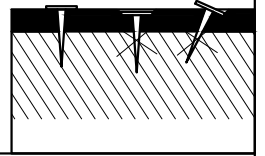
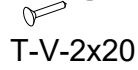
11.3 Cube-Garden Cube 2x2/2x3/2x4 BITUMEN ROLL ROOF COVER INSTALATION

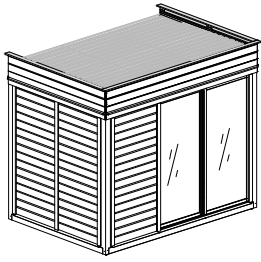


1

Mid-limp3x500x5000-(2x2-3Pcs.)
or
Mid-limp3x500x5000-(2x3-5Pcs.)
or
Mid-limp3x500x5000-(2x4-6Pcs.)

2 x330





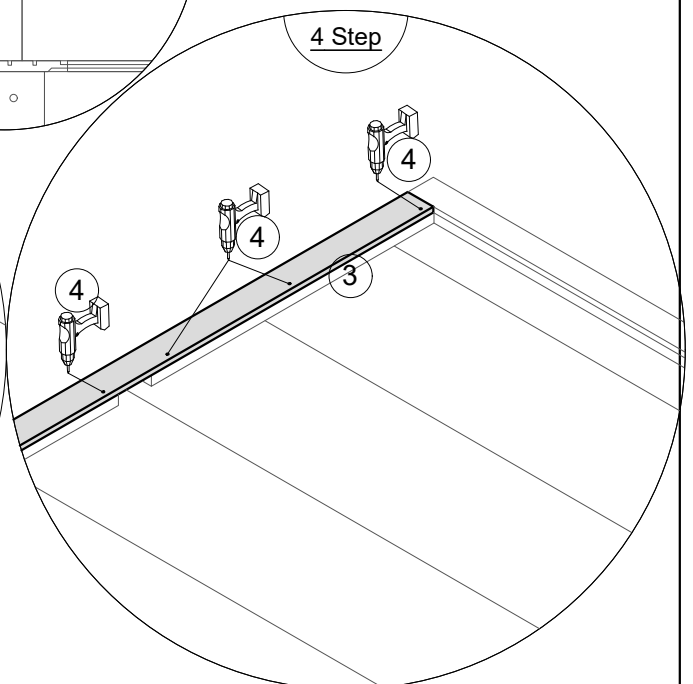
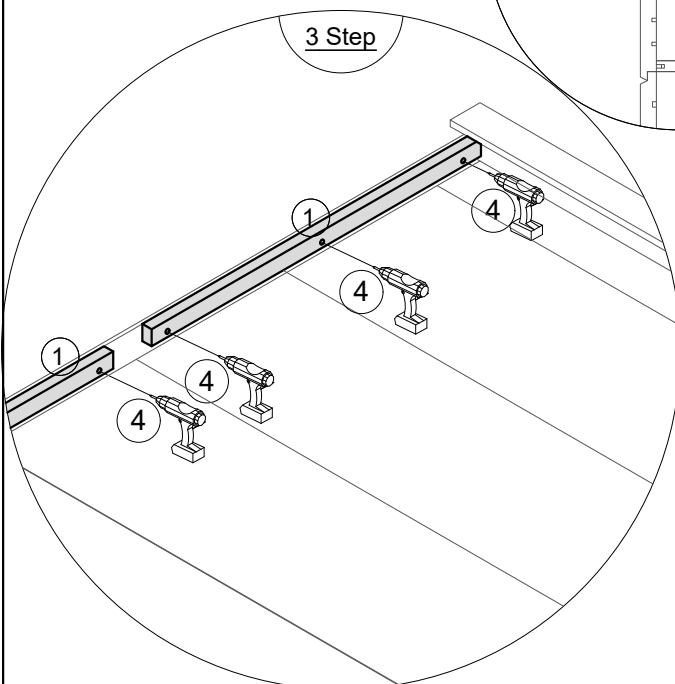
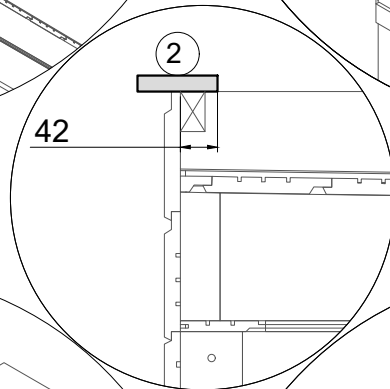
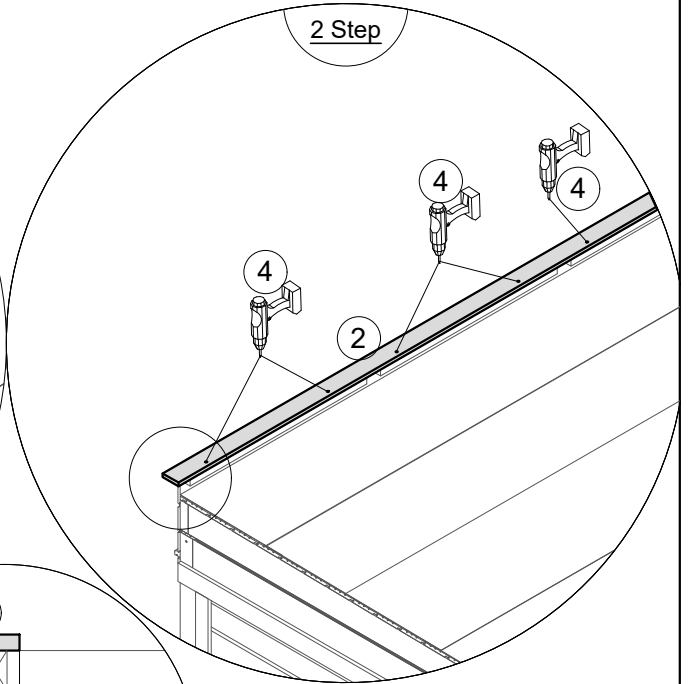
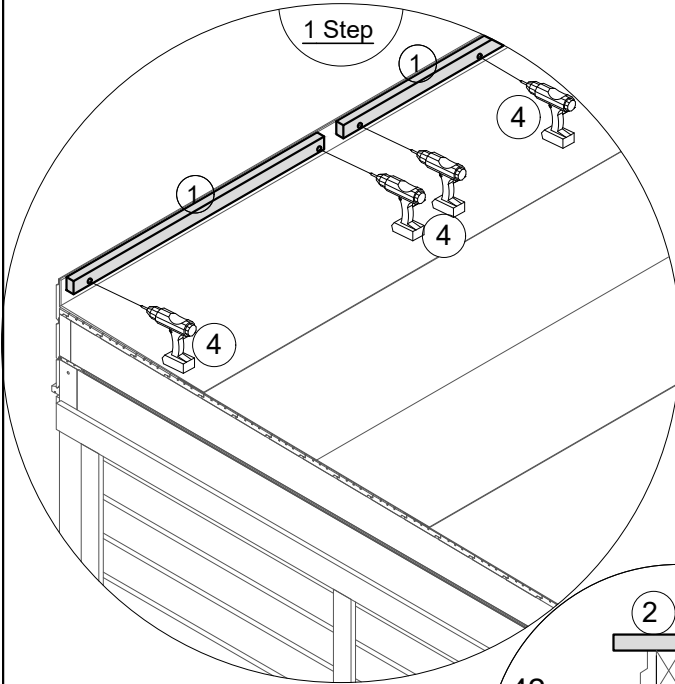
11.4 Cube-Garden Cube 2x2/2x3/2x4 END OF ROOF FINISH

④ x32
T-GC-3.5x45

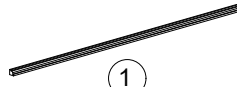
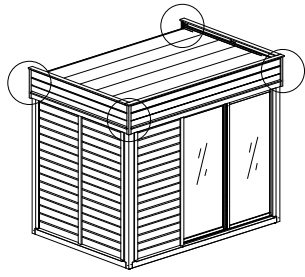
①
M-28x45x1000(2x2-6Pcs.)
or
M-28x45x1000(2x3-7Pcs.)
or
M-28x45x1000(2x4-8Pcs.)

②
M-18x90x2388-F(2x2-1Pcs.)
or
M-18x90x3388-F(2x3-1Pcs.)
or
M-18x90x4388-F(2x4-1Pcs.)

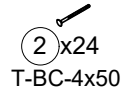
③
M-18x90x2274-F(2x2-2Pcs.)
or
M-18x90x2274-F(2x3-2Pcs.)
or
M-18x90x2274-F(2x4-2Pcs.)



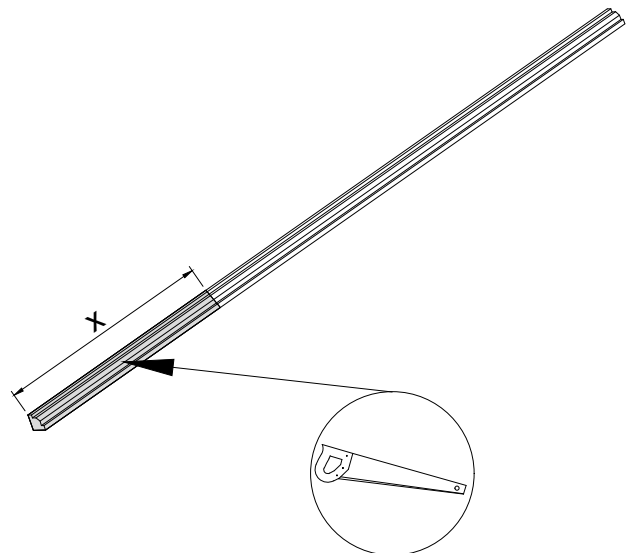
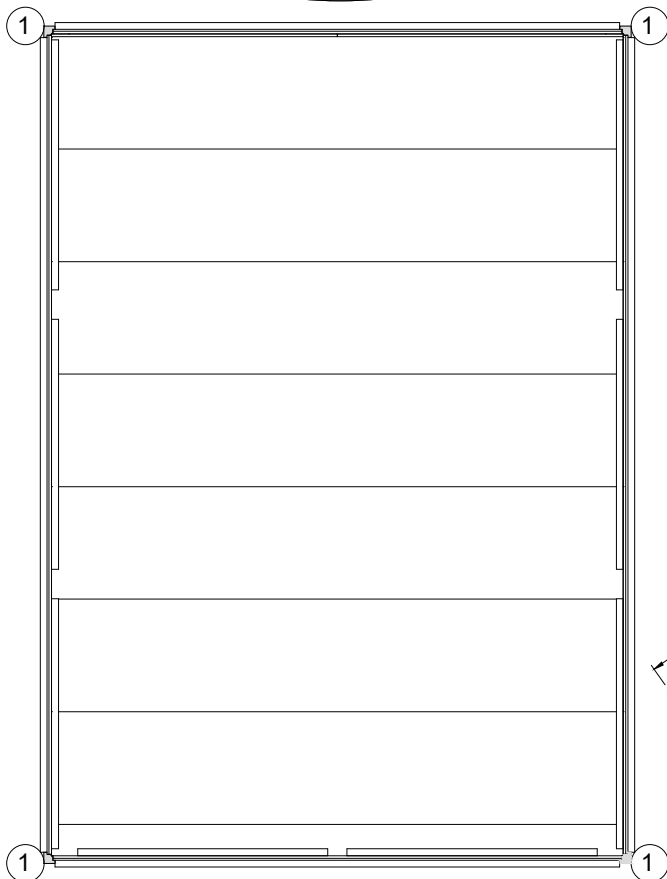
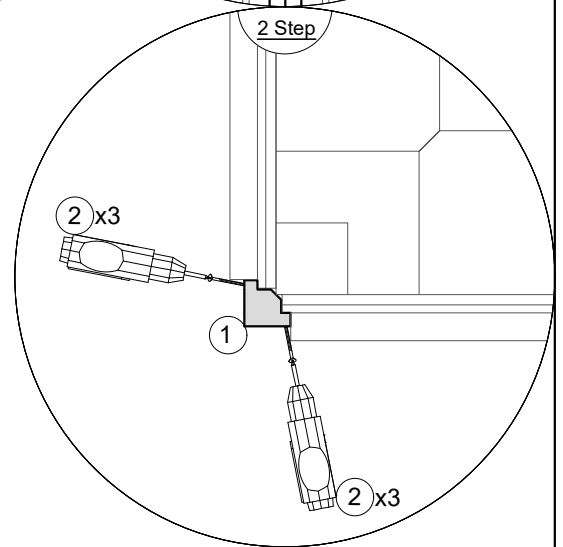
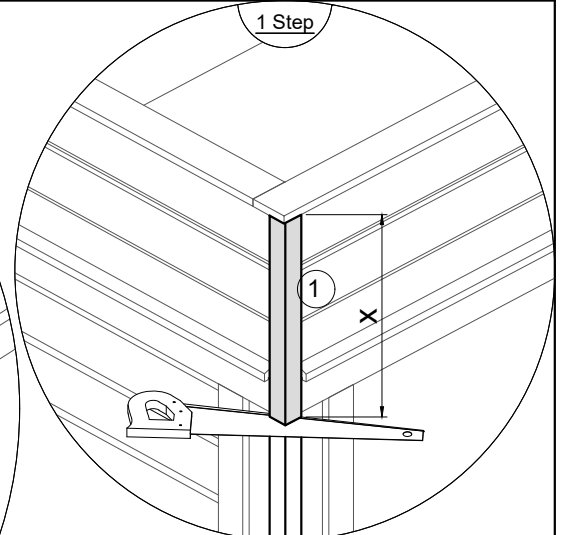
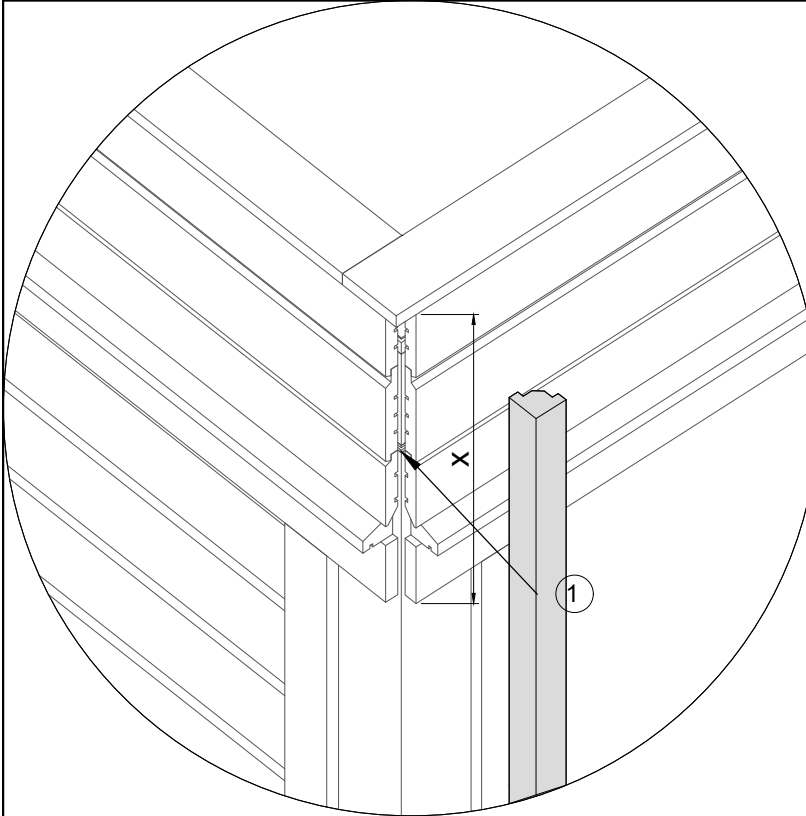
11.5 Cube-Garden Cube 2x2/2x3/2x4 END OF ROOF FINISH



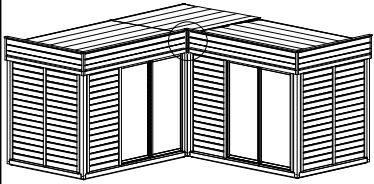
①
M-45x45x2500-F



② x24
T-BC-4x50

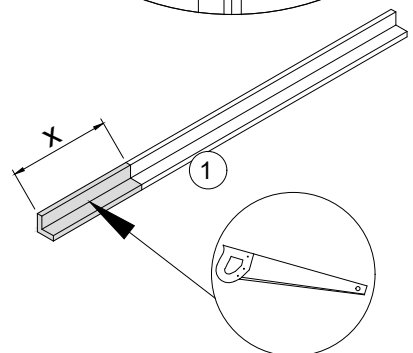
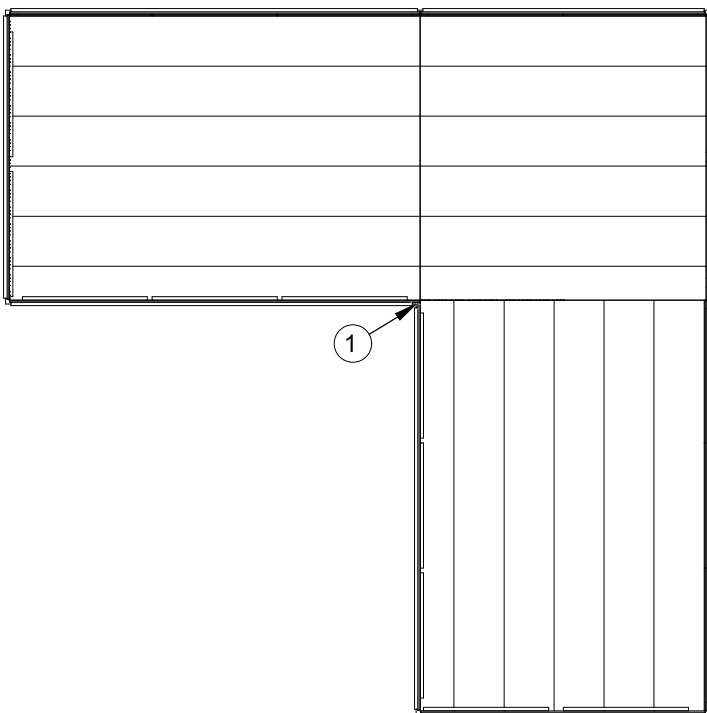
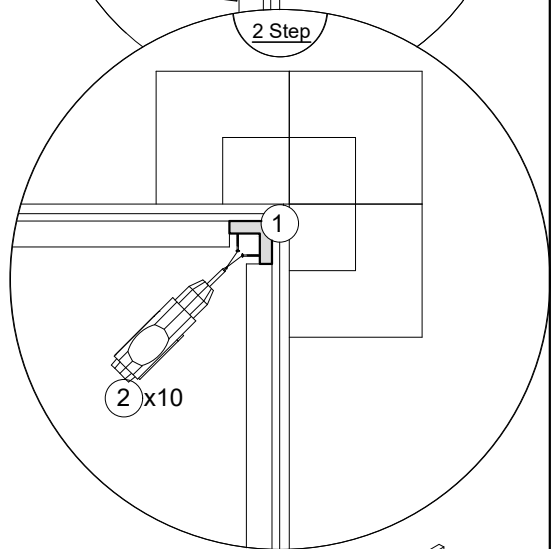
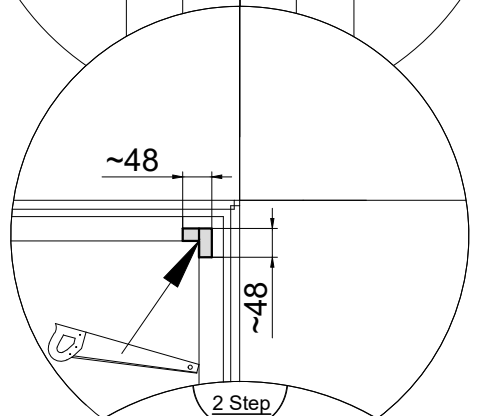
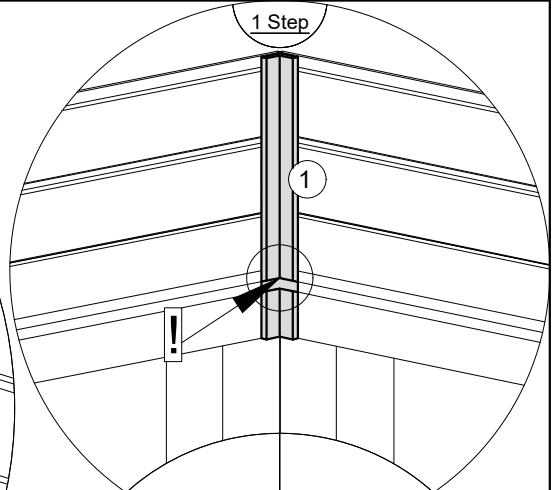
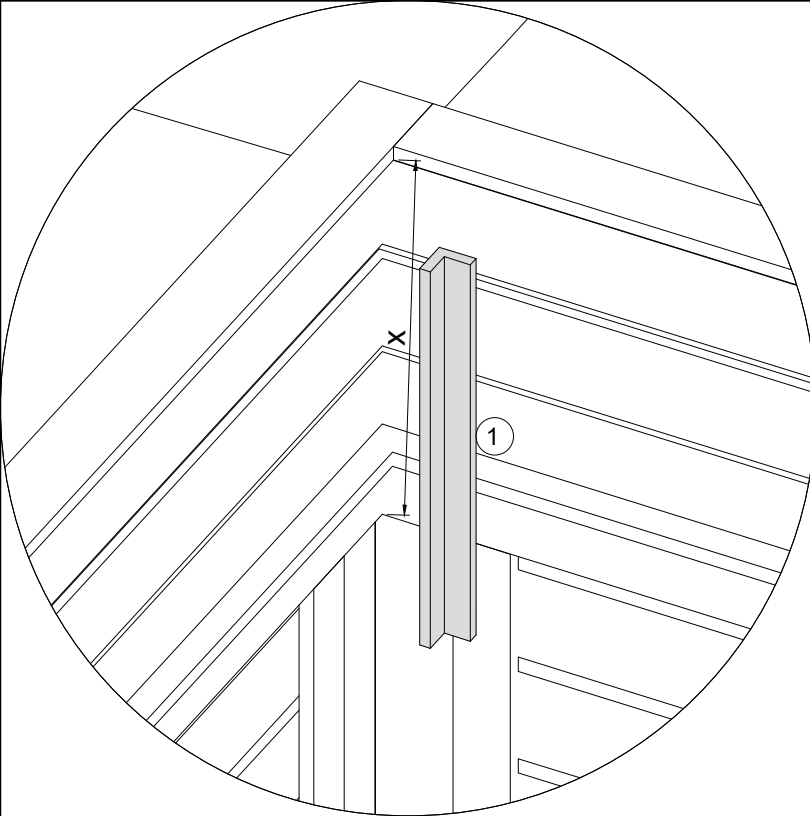


11.6 Cube-Garden Cube 2x2/2x3/2x4 CONNECTED CUBE DETAILS

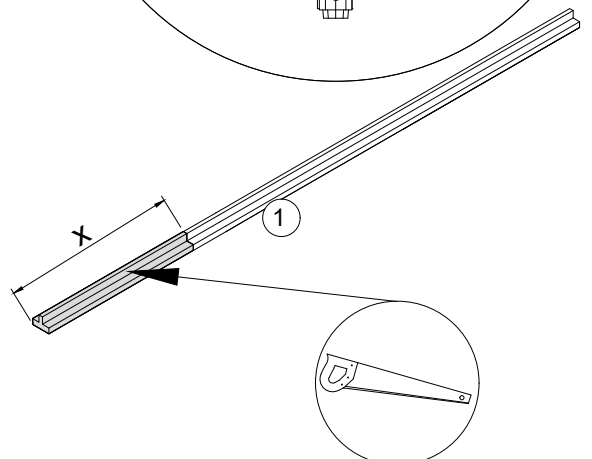
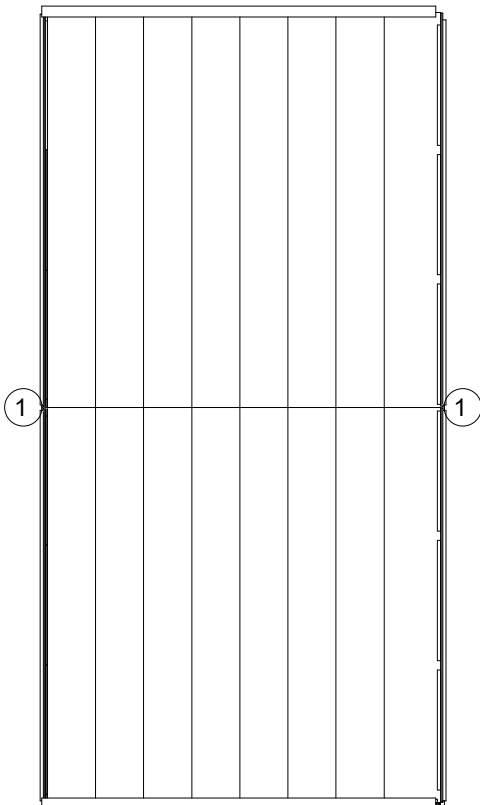
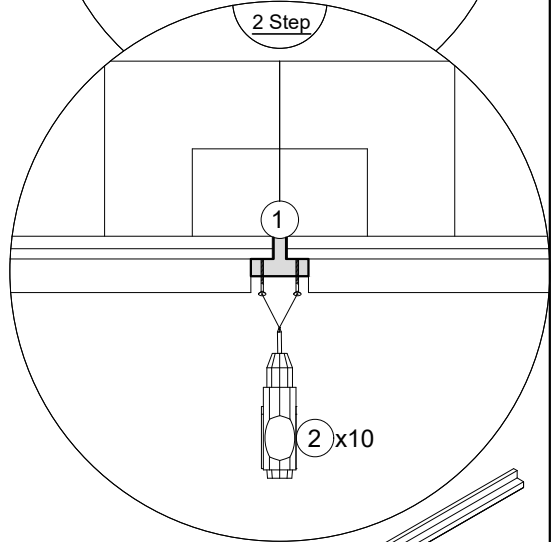
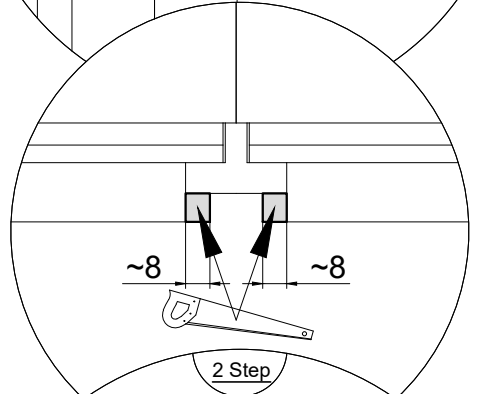
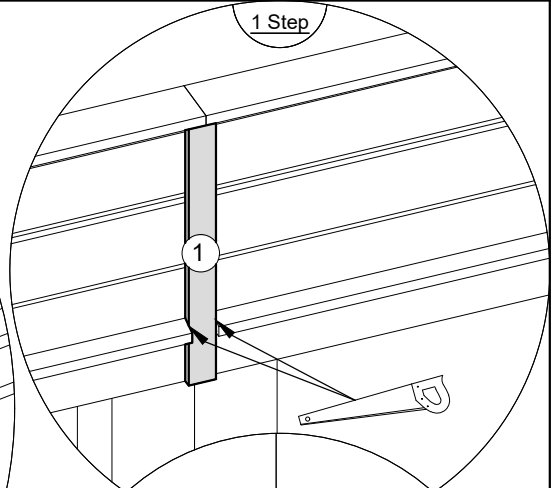
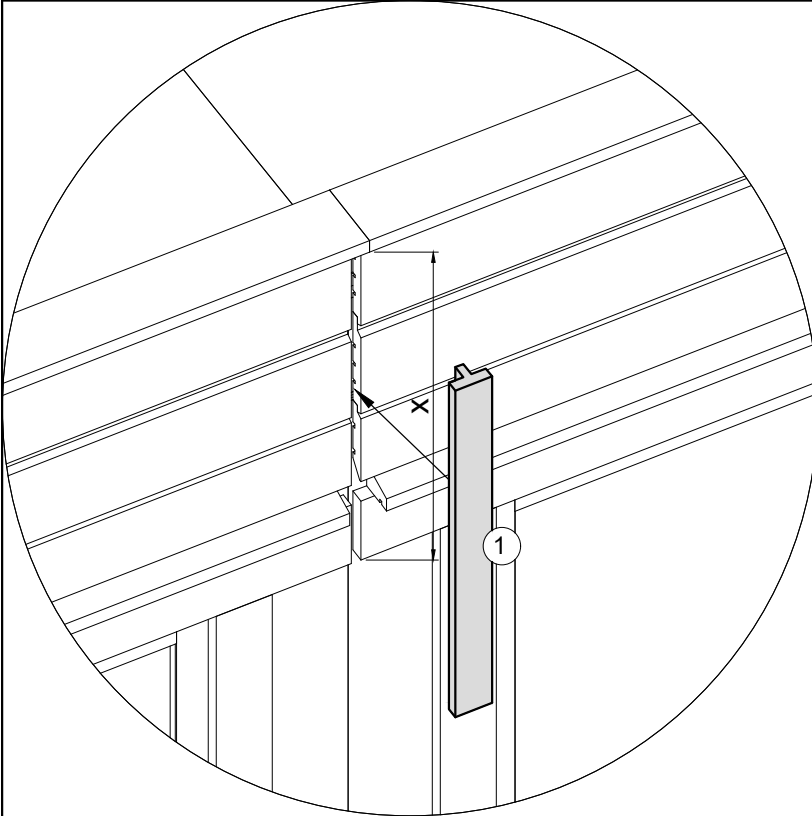
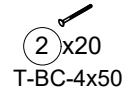
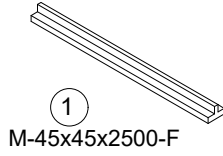
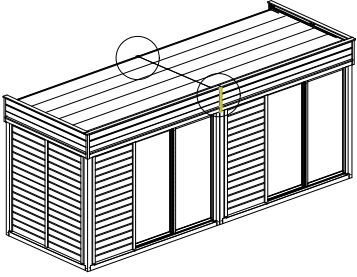


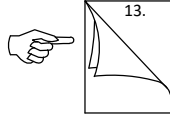
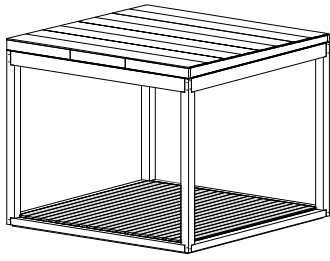
①
M-45x45x2500-F

② x24
T-BC-4x50



11.7 Cube-Garden Cube 2x2/2x3/2x4 CONNECTED CUBE DETAILS





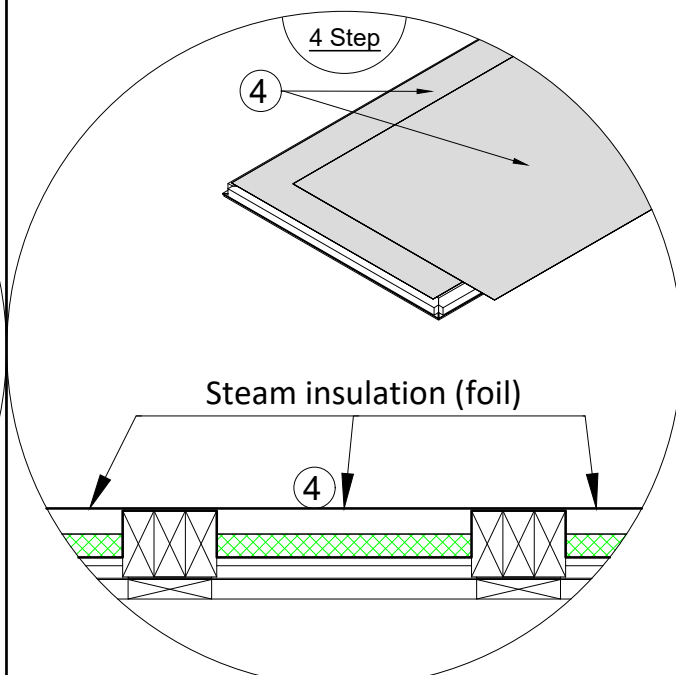
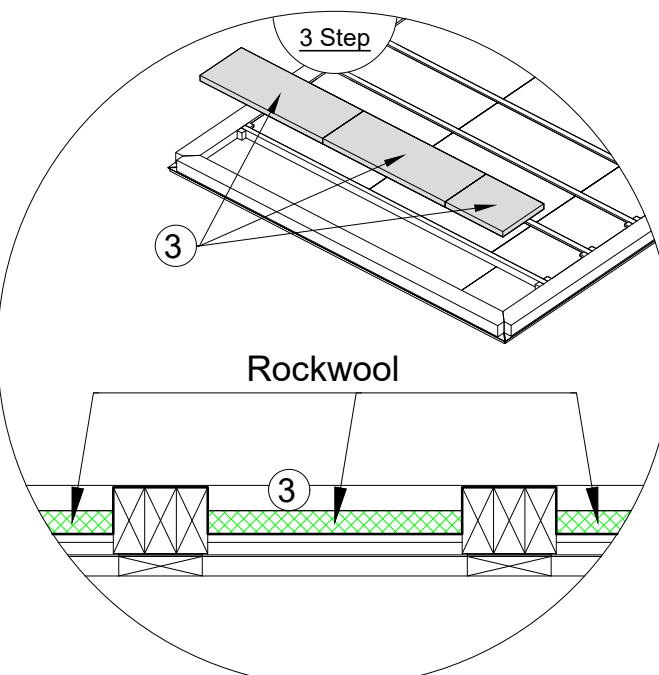
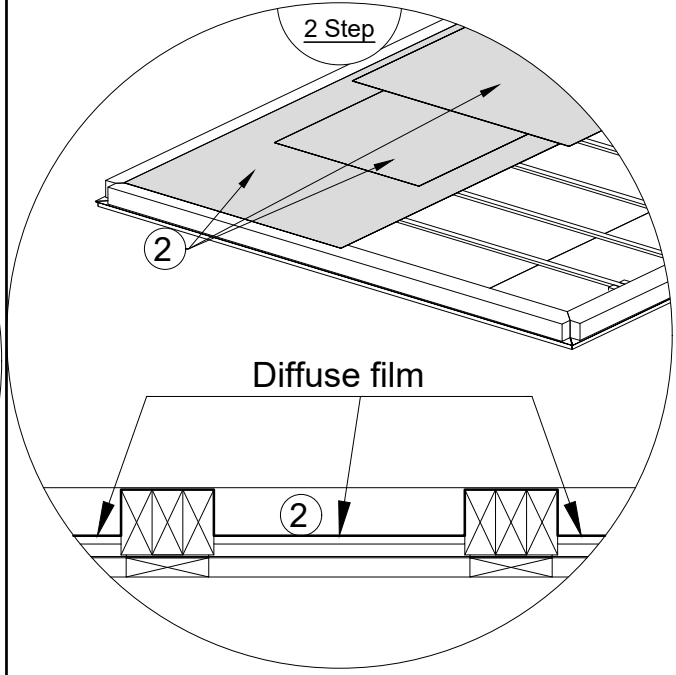
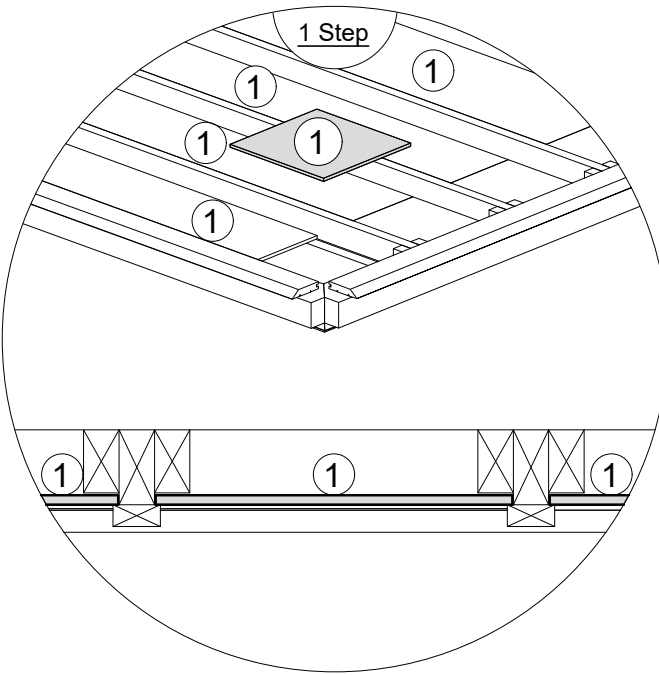
12. Cube-Garden Cube 2x2/2x3/2x4 INSULATED FLOOR ASSEMBLY

①
OSB-12x450x1960-F(2x2-4Pcs.)
or
OSB-12x450x2500-F(2x3-4Pcs.)
OSB-12x450x460-F(2x3-4Pcs.)
or
OSB-12x450x2500-F(2x4-4Pcs.)
OSB-12x450x1460-F(2x4-4Pcs.)

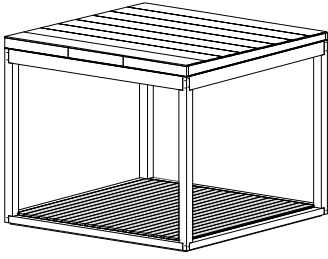
② Diffuse film-(2x2-9m²)
(2x3-12m²)
(2x4-16,5m²)

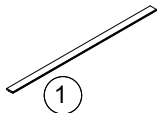
③ Rockwool-(2x2-5,76m²)
(2x3-8,64m²)
(2x4-10,08m²)


④ Steam insulation (foil)-(2x2-7,5m²)
(2x3-10,5m²)
(2x4-13,5m²)



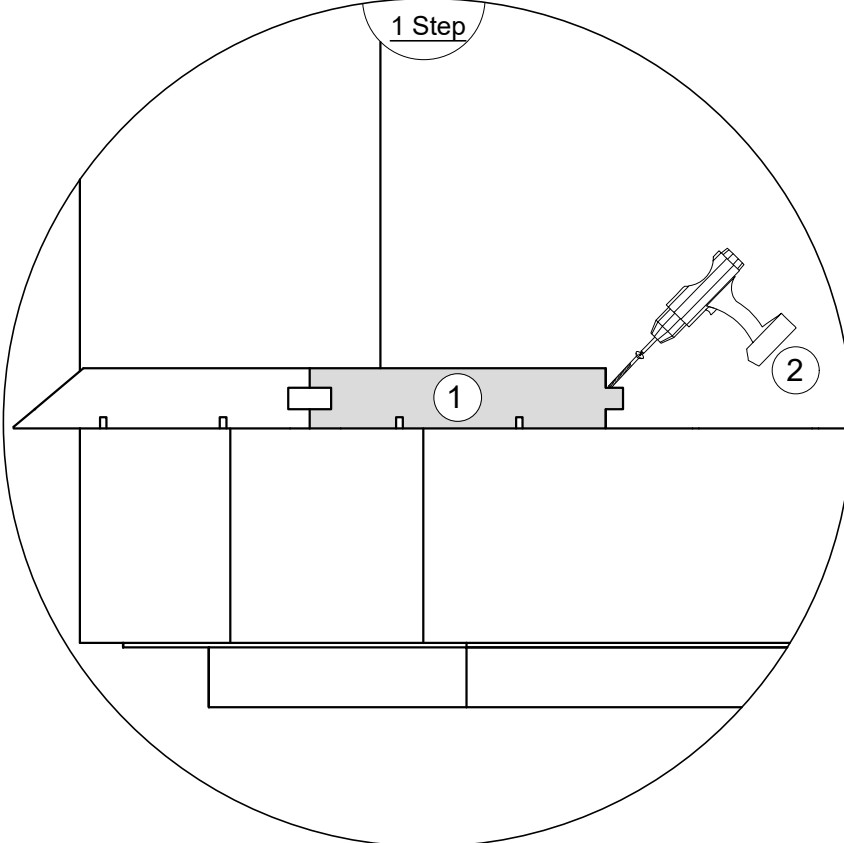
13. Cube-Garden Cube 2x2/2x3/2x4 FLOOR



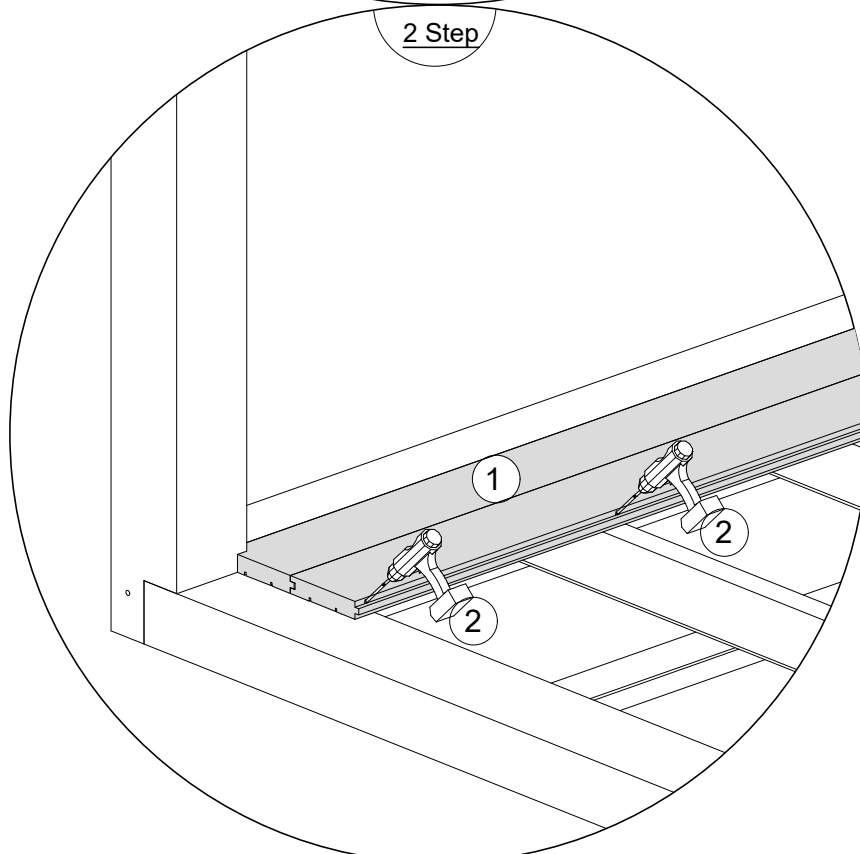

①
Spunt-28x145x3045(2x2-15Pcs.)
or
Spunt-28x145x3045(2x3-22Pcs.)
or
Spunt-28x145x3045(2x4-30Pcs.)


②
T-GC-3.5x45(2x2-75Pcs.)
or
T-GC-3.5x45(2x3-110Pcs.)
or
T-GC-3.5x45(2x4-150Pcs.)

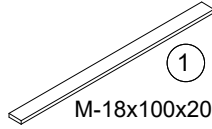
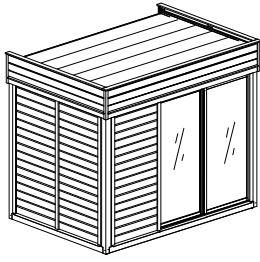
1 Step



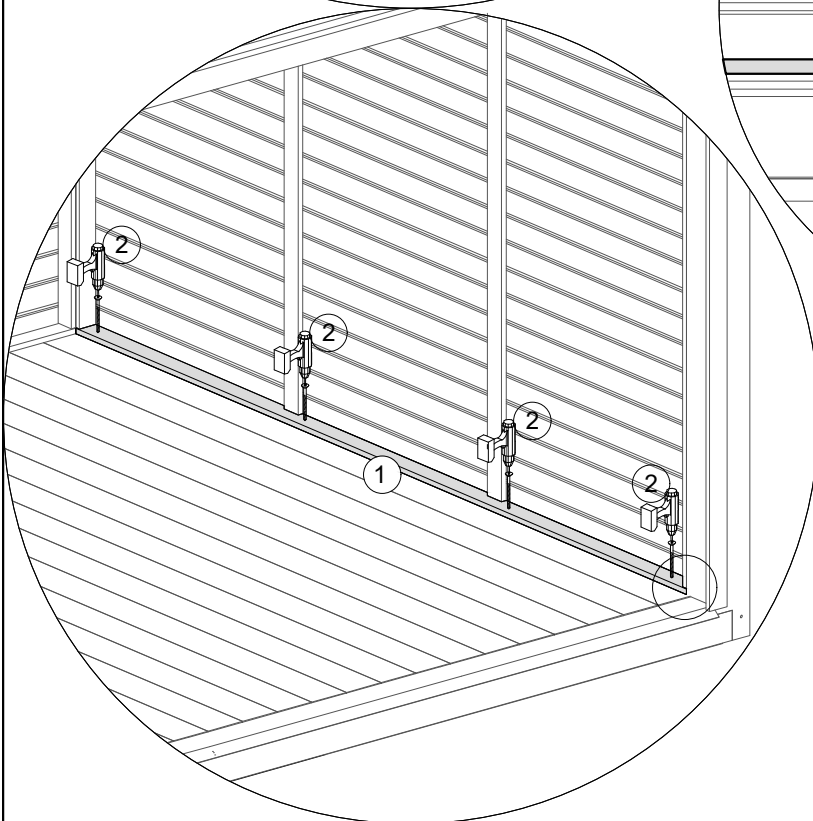
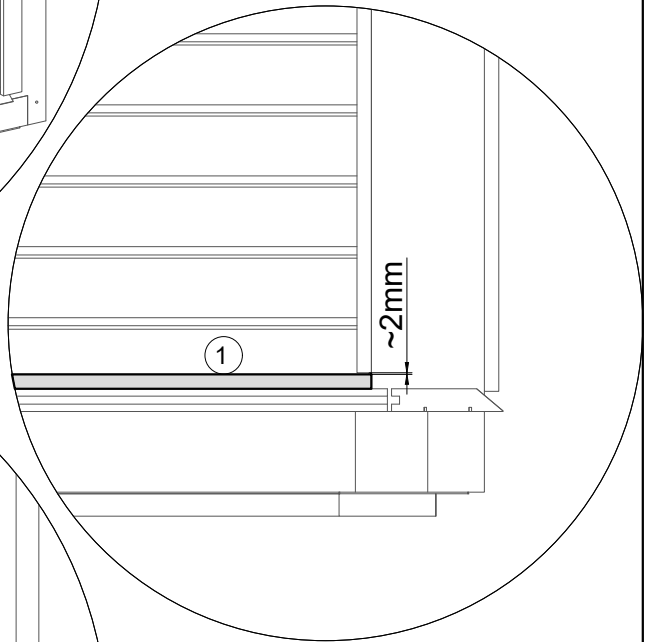
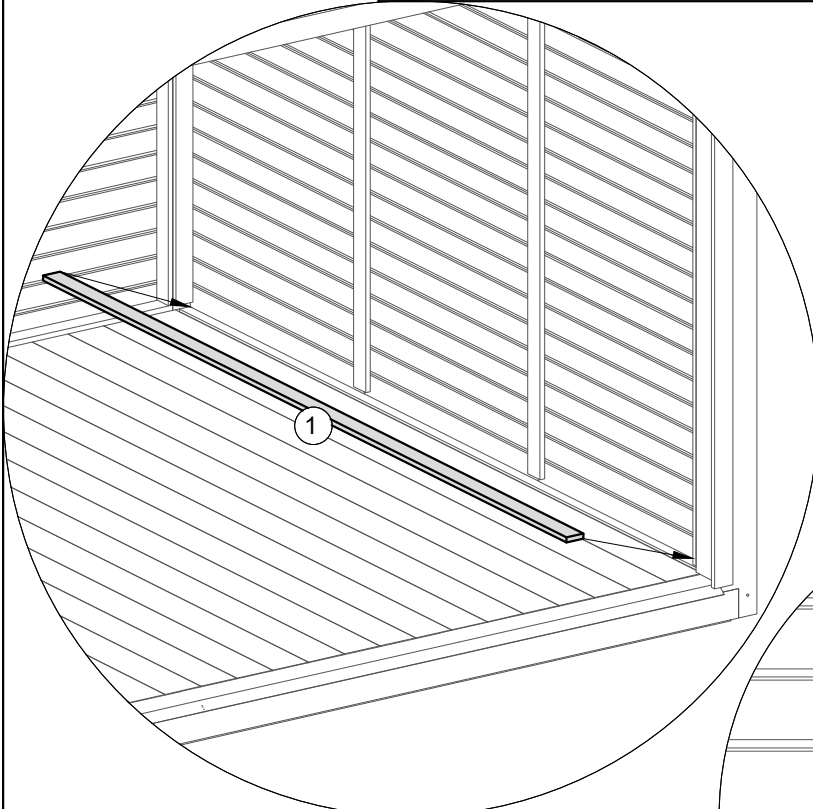
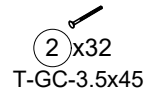
2 Step

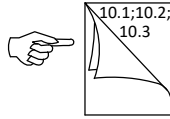
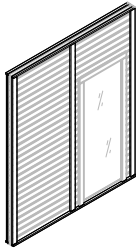


14. Cube-Garden Cube 2x2/2x3/2x4 INSIDE WALLS AND WINDOWS SUPPORTS



M-18x100x2004(2x2-4Pcs.)
or
M-18x100x2004(2x3-2Pcs.)
M-18x100x3004(2x3-2Pcs.)
or
M-18x100x2004(2x4-2Pcs.)
M-18x100x4004(2x4-2Pcs.)
or
OTHER





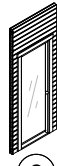
15. Cube-Garden Cube 2x2/2x3/2x4 INTERNAL PARTITIONS



①

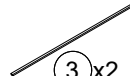
C-PUS00075-II
or
OTHER

OR



②

C-PUS00103-IIIIH
or
OTHER



③ x2

M-18x30x3010



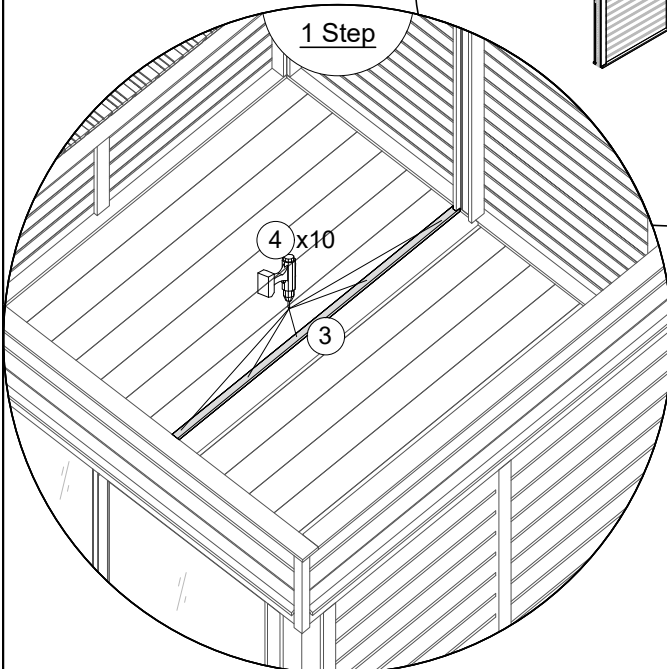
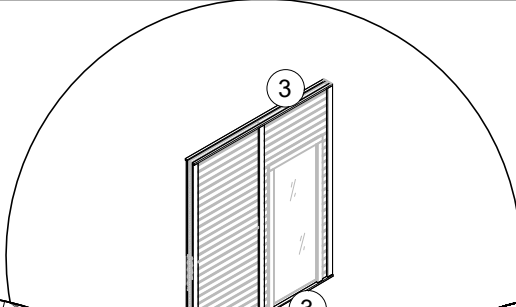
④ x20

T-GC-3.5x45

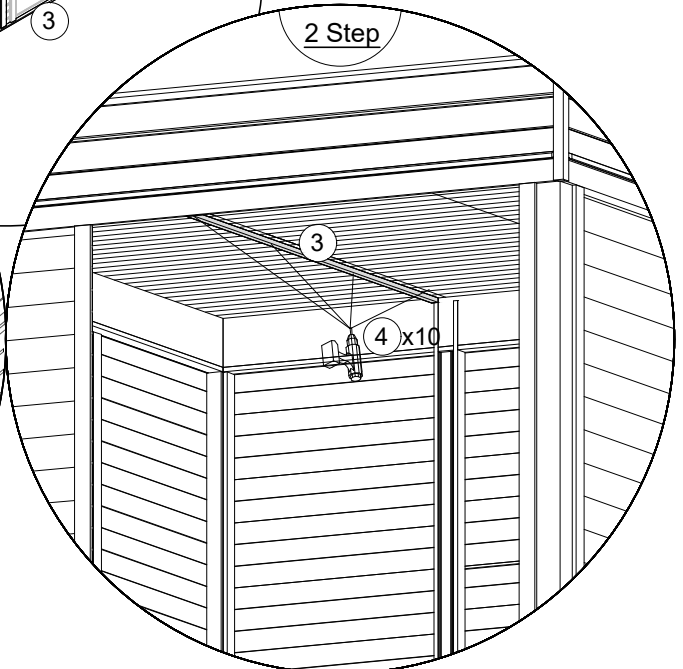


⑤ x6

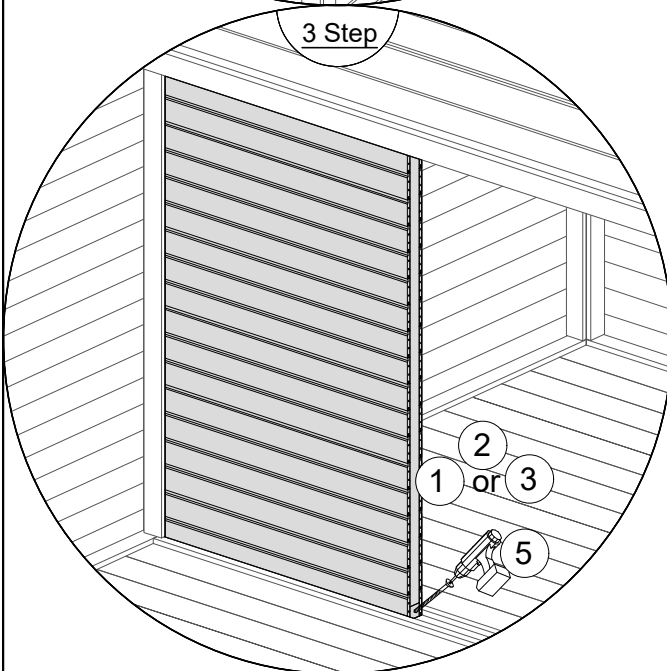
T-BC-4x70



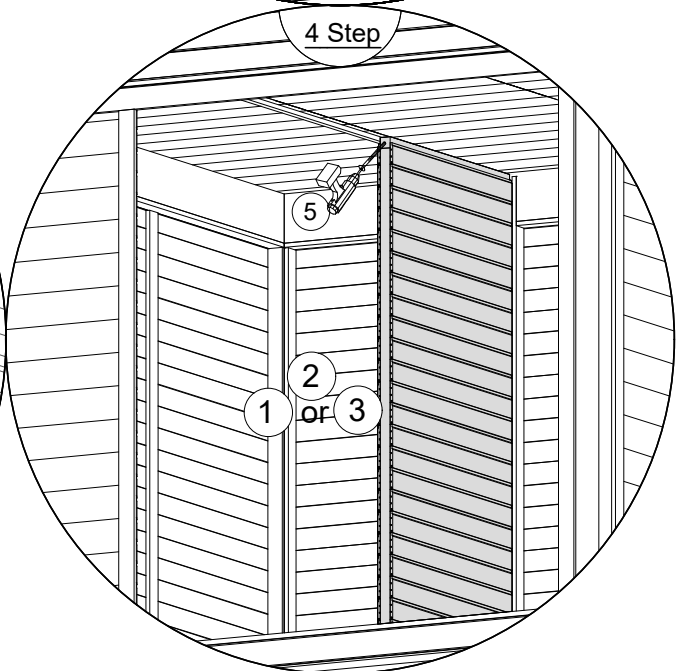
1 Step



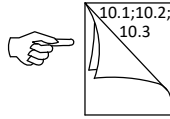
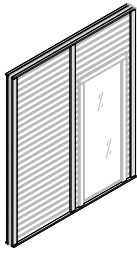
2 Step



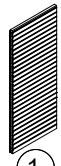
3 Step



4 Step



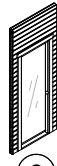
15.1 Cube-Garden Cube 2x2/2x3/2x4 INTERNAL PARTITIONS



①

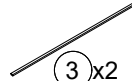
C-PUS00075-II
or
OTHER

OR



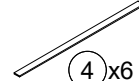
②

C-PUS00103-IIIIH
or
OTHER



③ x2

M-18x30x3010



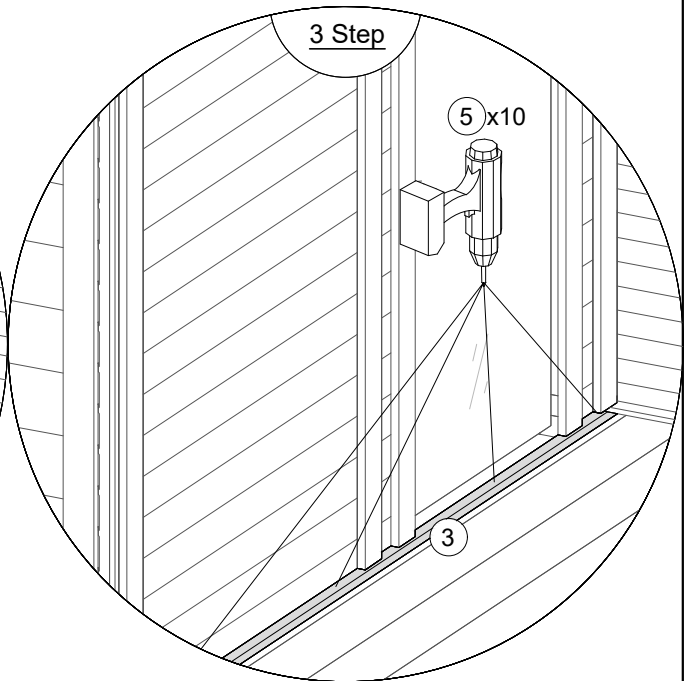
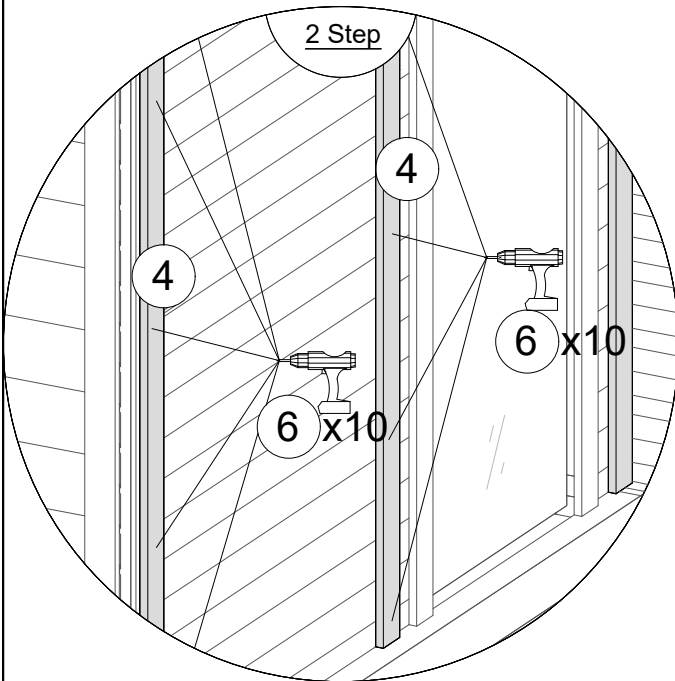
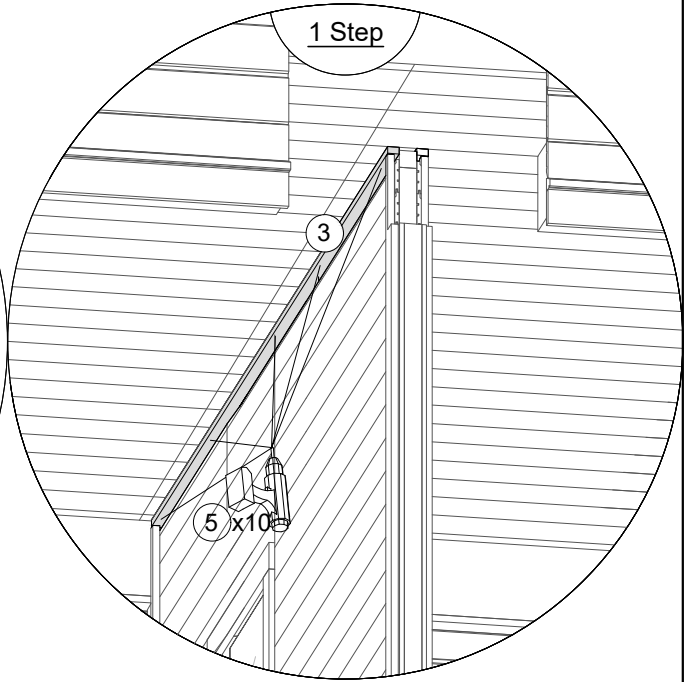
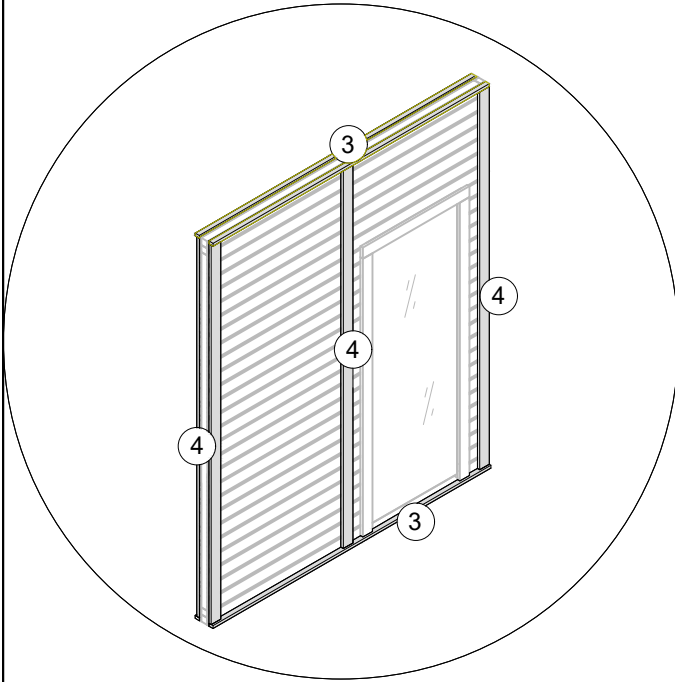
④ x6

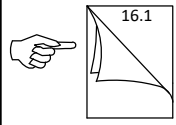
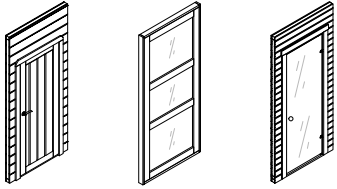
M-18x70x2364



⑤ x100

T-GC-3.5x45

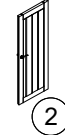




16. Cube-Garden Cube 2x2/2x3/2x4 DOOR ASSEMBLY



Stakta-65x690x1850
or
Stakta-70x700x1760
or
Stakta-70x990x2200
or
OTHER

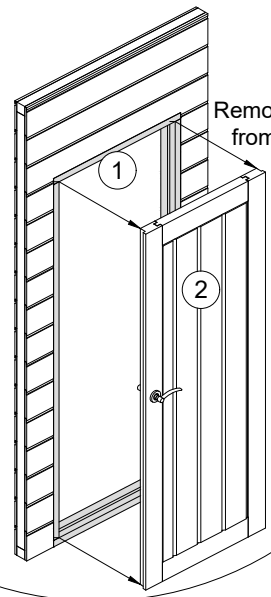


Varcia-6x620x1770
or
Varcia-45x659x1700
or
Varcia-45x946x2135
or
OTHER



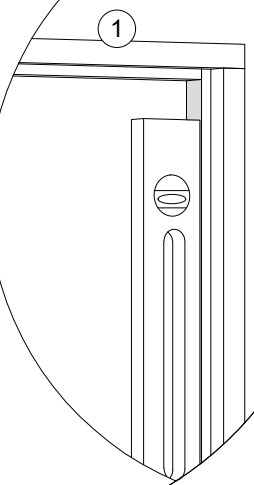
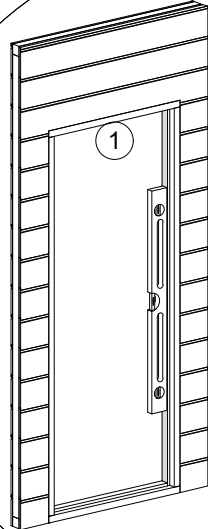
3 x3
T-BC-4x70

1 Step

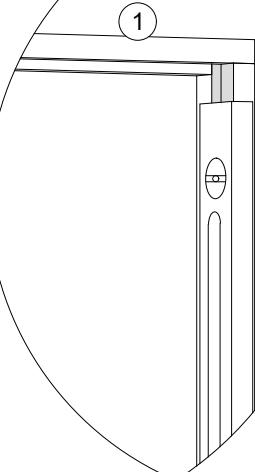
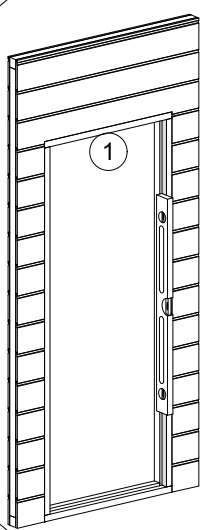


Remove the sash
from the frame

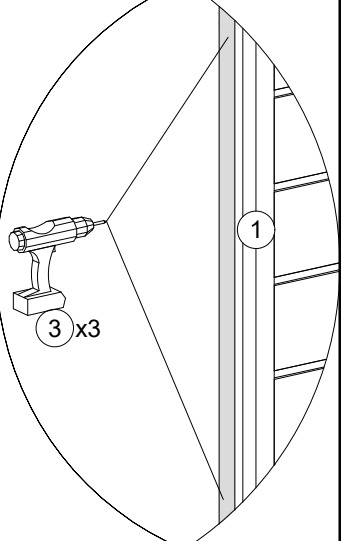
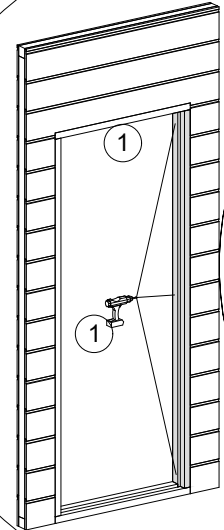
2 Step



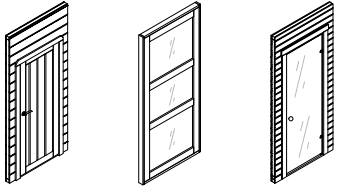
3 Step




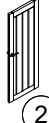
4 Step

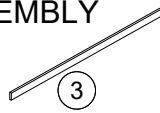



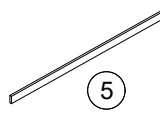
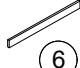
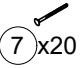
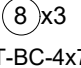
16.1 Cube-Garden Cube 2x2/2x3/2x4 DOOR ASSEMBLY



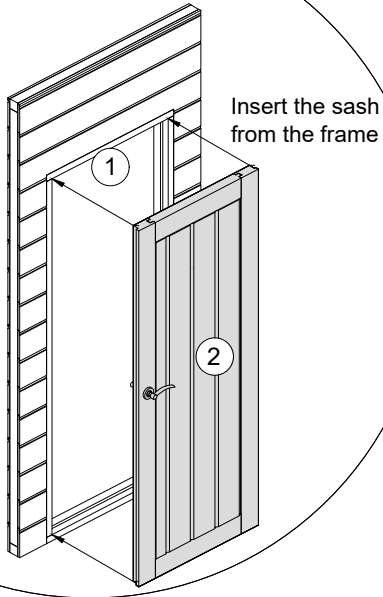
 **1**
 Stakta-65x690x1850
 or
 Stakta-70x700x1760
 or
 Stakta-70x990x2200
 or
 OTHER

 **2**
 Varcia-6x620x1770
 or
 Varcia-45x659x1700
 or
 Varcia-45x946x2135
 or
 OTHER

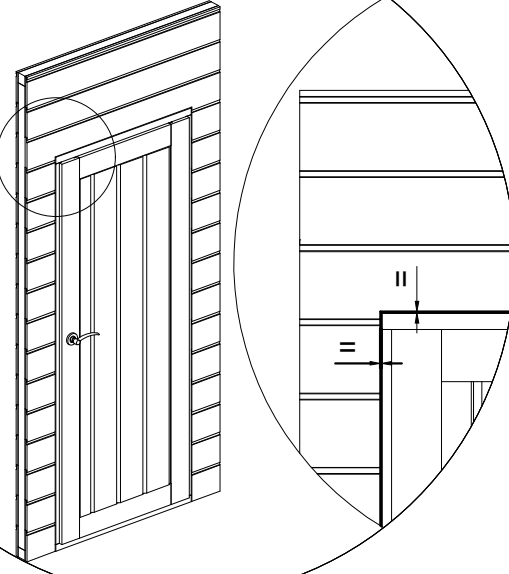
 **3**
 M-18x70x1695
 **4**
 M-18x70x810-F

 **5**
 M-18x70x1825
 **6**
 M-18x70x795
 **7** x20
 T-GC-3.5x45
 **8** x3
 T-BC-4x70

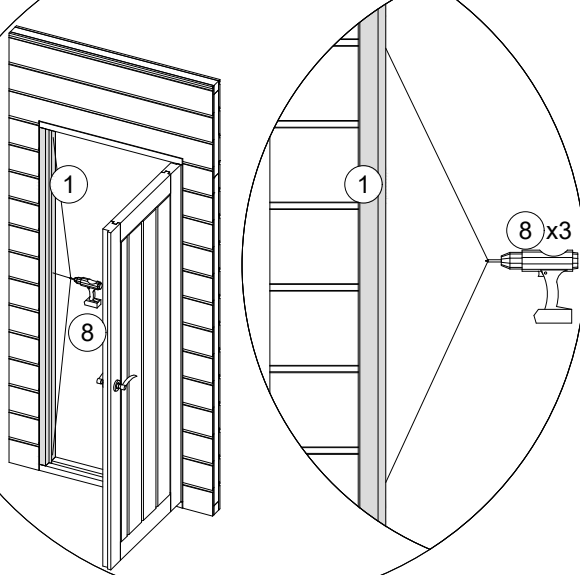
1 Step



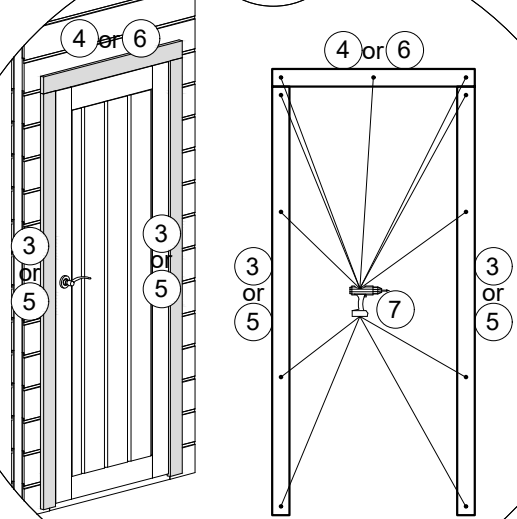
2 Step



3 Step



4 Step



16.1 Cube-Garden Cube 2x2/2x3/2x4 VENTILATION ASSEMBLY

